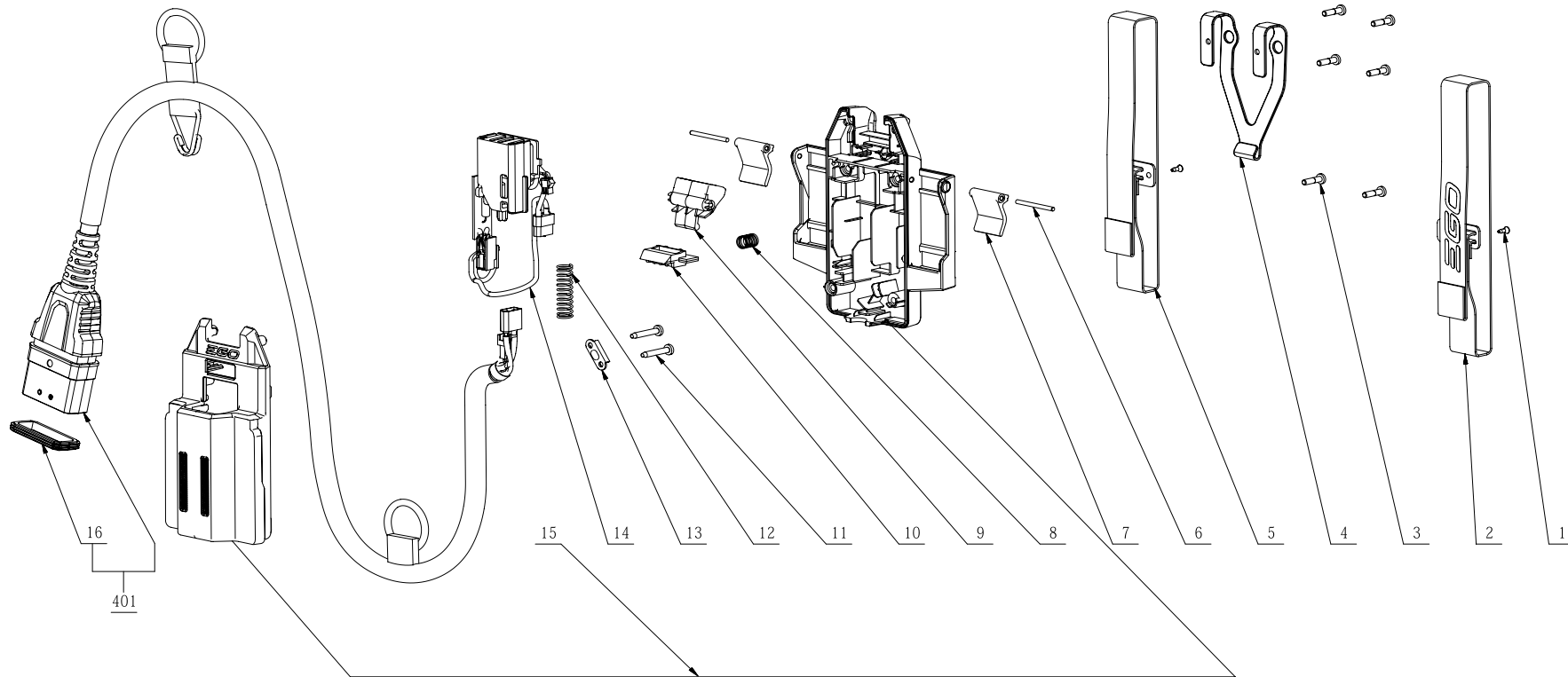




Product Description: Accessory
Model Number: ABH3000
Body Number: 0640008001_S
Version: A
Issue Date: 2020/08/30





Repair Parts_Battery Holster_ABH3000

Index No.	Art. No.	Description	QTY in machine	Weight (g)	Size LxWxH (mm)	MPQ	Repairable or Not?	Standard Repair Time (min.)
1	5610076004	Tapping Screw	2	0.5	5.3x5.3x7.8	10	Y	1
2	3800160001	Braided Strap	1	26	500x1.5x41	10	Y	2
3	5620479001	Screw	6	4	4.2x4.2x16	10	Y	1
4	3707472001	Belt Hook	1	61.5	111x64x22	1	Y	2
5	3800101001	Braided Strap	1	26	500x1.5x41	10	Y	2
6	5670153002	Pin	2	2	3x3x36	10	Y	6
7	3422761001	Lock Plate	2	10.5	29.1x12.2x34.3	10	Y	6
8	3660013003	Spring1	1	1	9.9x9.9x25	10	Y	3
9	3131218001	Power Pack Button	1	7	36x43x24	1	Y	3
10	3127497001	Power Pack Button	1	5	42.5x24.5x11.4	1	Y	3
11	5620454001	Tapping Screw	2	3.5	28x9x9	10	Y	4
12	3660818001	Compression Spring	1	3.4	41x11x11	10	Y	4
13	3700285001	Cord Anchorage	1	1.5	26x10x6	1	Y	4
14	2830813001	Electric Assembly	1	67	123x75x36	1	Y	8
15	3900357001	Housing Assembly	1	210	166x150x59	1	Y	12
401	4860764001	Cable Assembly	1	604	1935x56x25	1	Y	7
16	5690356002	Seal Ring	1	2.5	55x24x6	10	Y	1