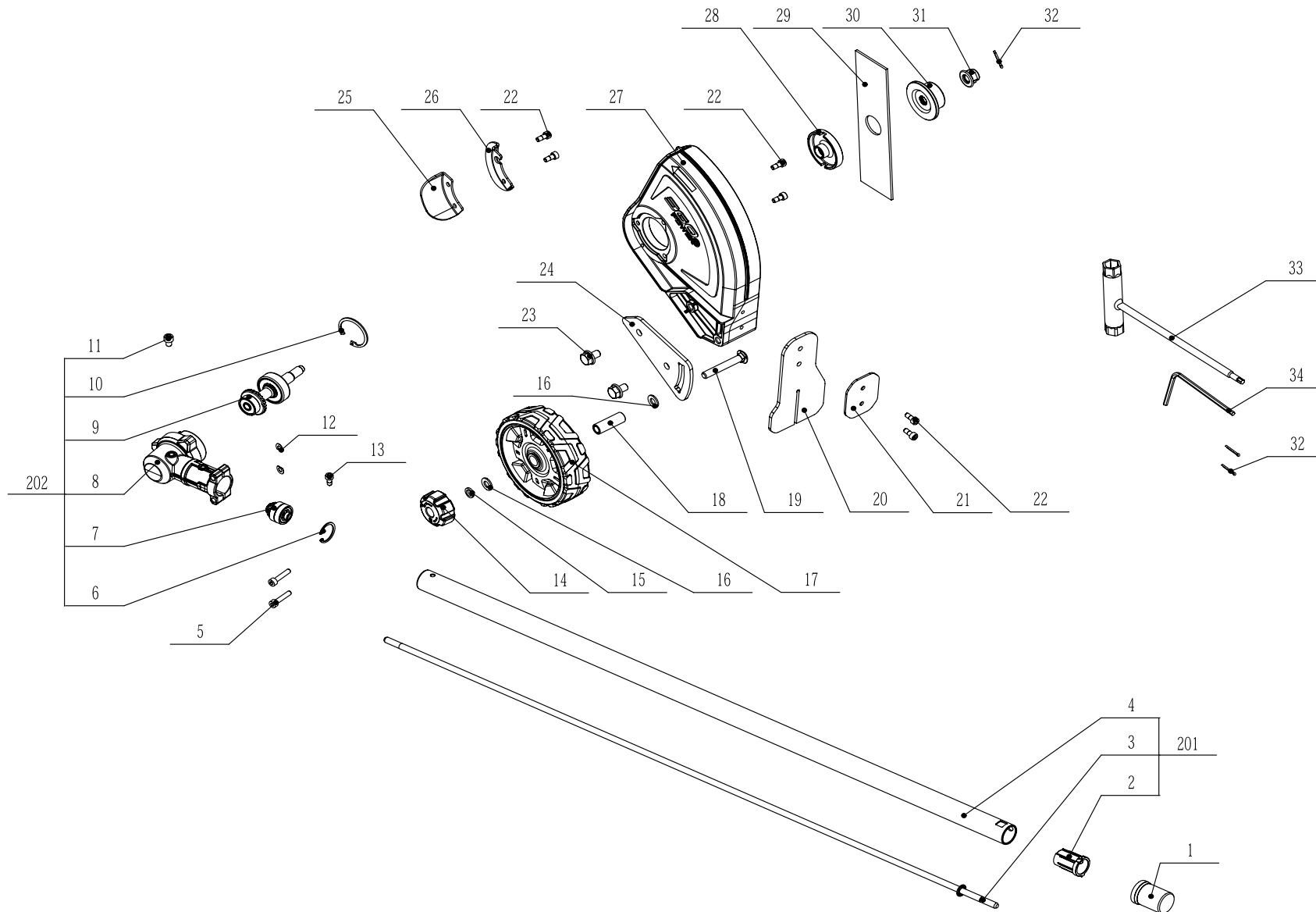




Product Description: Edger Attachment
Model Number: EA0800
Body Number: 0850025001_S
Version: A
Issue Date: 2017/01/11





Repair Parts_Edger_8401(EA0800)

Index No.	Art. No.	Description	QTY in machine	Weight (g)	Size LxWxH (mm)	MPQ	Repairable or Not?	Standard Repair Time (min.)
1	3128734001	Sleeve	1	4.6	24x29x42	1	Y	5
2	3128556001	Guiding Block	1	4.3	18.7x22x33	1	Y	5
3	2824792002	Shaft Assembly	1	255.8	φ14.5x857	1	Y	10
4	2824791002	Tube Assembly(Used for EU)	1	244.3	φ25x820	1	Y	10
5	5620216003	Screw	2	5.8	M5x25	10	Y	1
6	5660151001	Circlips For Hole	1	1.3	24	10	Y	1
7	2824794002	Pinion Assembly	1	56.4	φ24x28	1	Y	20
8	3421520001	Gear Case	1	143	113x63.3x65.3	1	Y	20
9	2824796002	Shaft Assembly	1	215.8	φ37x94	1	Y	20
10	5660234001	Circlip For Hole	1	3.8	37	10	Y	1
11	5620546001	Hexagon Socket Screw	1	4.9	M6x8	10	Y	1
12	5650598001	Washer	2	0.2	5.3x11x0.4	10	Y	1
13	5620213003	Hexagon Socket Screw	1	3.4	M5X10	10	Y	1
14	3402815001	Knob	1	22.5	M8x42x20	1	Y	5
15	5650026005	Spring Washer	1	1	8	10	Y	1
16	5650025001	Plain Washer	2	1.8	8	10	Y	1
17	2824793001	Wheel Assembly	1	160	φ120x36	1	Y	10
18	3552519001	Screw Sleeve	1	7	8.2x12.6x36.7	1	Y	5
19	5640245001	Square Neck Bolt	1	26.3	M8x55	10	Y	1
20	3706120001	Rubber Pad	1	27.6	142x75x3.5	1	Y	5
21	3706121001	Clamp	1	38.7	60x46x2	1	Y	5
22	5620018002	Hexagon Socket Screw	6	3.7	M5x12	10	Y	1
23	5640010004	Hexagon Flange Bolt	2	15.7	M8x12	10	Y	1
24	3705444001	Height Adjusting Plate	1	146.6	120x63x4	1	Y	5
25	3705450001	Support Plate	1	37.7	52.3x34.3x32	1	Y	10
26	3705433001	Guide Plate	1	42.9	57x60.5x12	1	Y	10
27	3420515001	Shield(Used for EU)	1	429.7	250x175x54	1	Y	20
28	3552522001	Inner Flange	1	79.6	φ49x18	1	Y	10
29	3705431001	Blade	1	185.3	197x50.8x2.5	1	N	/
30	3552523001	Outer Flange	1	92.2	φ50x20	1	Y	10
31	5630292001	Nut	1	16	M10x1-FH	10	Y	5
32	5670436001	Split Pin	3	0.5	2x16	1	Y	5
33	5680217001	Wrench	1	163.8	5 , 14 , 15	1	Y	1
34	5680164001	Inner Hexagon Spanner	1	15.6	4 (L95xH45)	1	Y	1
201	2824590002	Connecting Tube ASSY(Used for EU)	1	504.4	φ25x857	1	Y	10
202	2824795002	Gear Case ASSY	1	420.3	112.7x63.3x98.2	1	Y	20