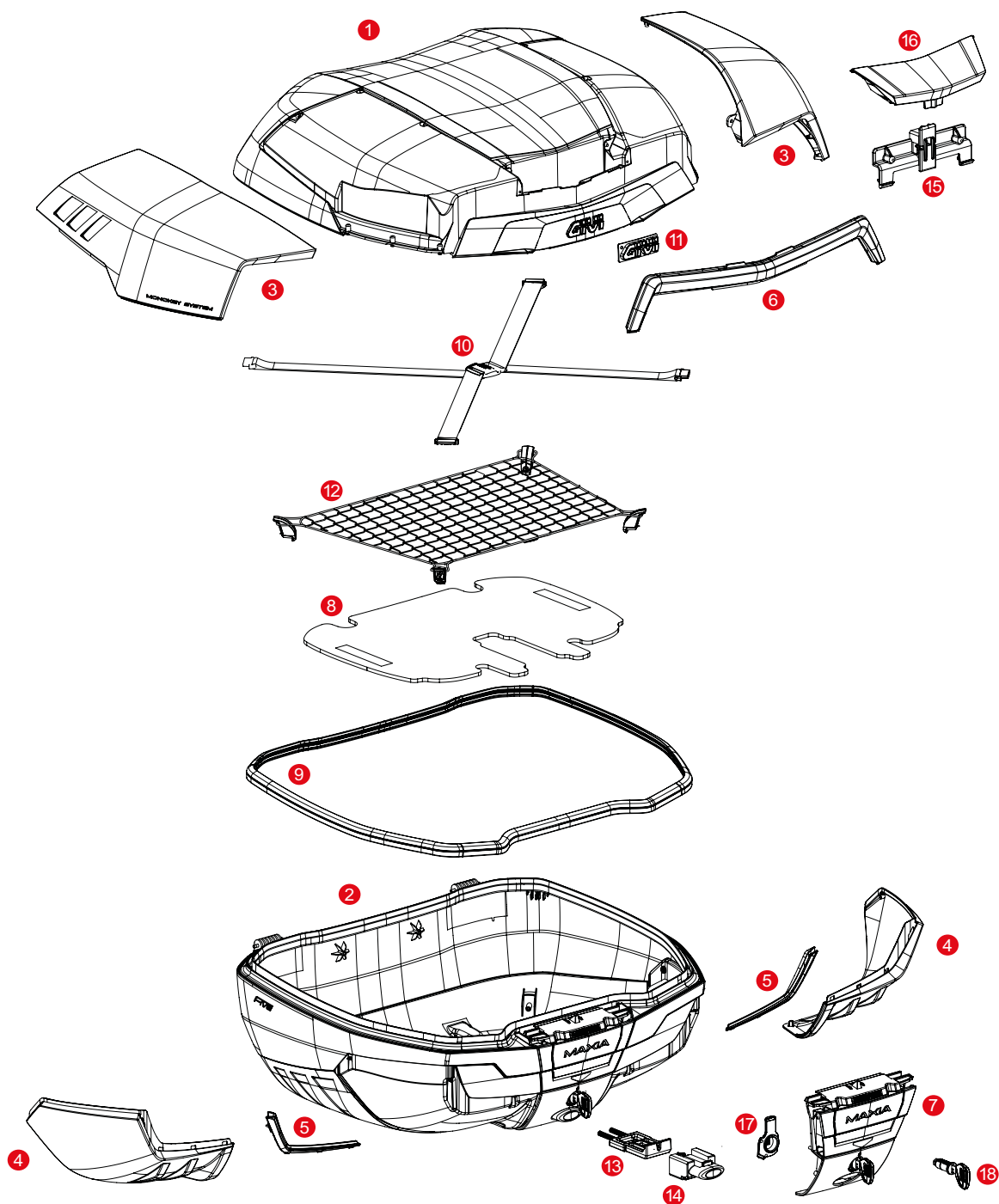


## V58N / V58NN / V58NT / V58NNT MAXIA 5



1	<b>ZV58CNM</b>	V58N-V58NT-V58NN-V58NNT assembled Top Shell, without cover and reflector
2	<b>ZV58FNM</b>	V58N-V58NT-V58NN-V58NNT assembled Bottom Shell, without cover and moulding
	<b>Z6592R</b>	Pair of black Top Shell covers V58NN - V58NNT
	<b>Z6593R</b>	Pair of black Bottom Shell covers V58NN - V58NNT
6	<b>Z6588R</b>	Red reflector with subreflector and foam
7	<b>Z6586MR</b>	Lock set
8	<b>Z6516R</b>	Inner carpet
9	<b>Z795R180</b>	Trim

10	<b>Z2170R</b>	Elastic belt
11	<b>Z229</b>	Chromed GIVI brand
12	<b>Z8247R</b>	Inner elastic cargo net with hooks
13	<b>Z1782R</b>	Bolt + Bolt Springs
14	<b>Z206NR</b>	Button + Button Spring (for TECH version)
15	<b>Z6590R</b>	Top-case tooth catch mechanism
16	<b>Z6585R</b>	Black central top faceplate
17	<b>Z4514R</b>	Plate below lock for Security Lock key
	<b>SL101</b>	Security lock set including cylinder, 2 keys, bush and under lock platelets