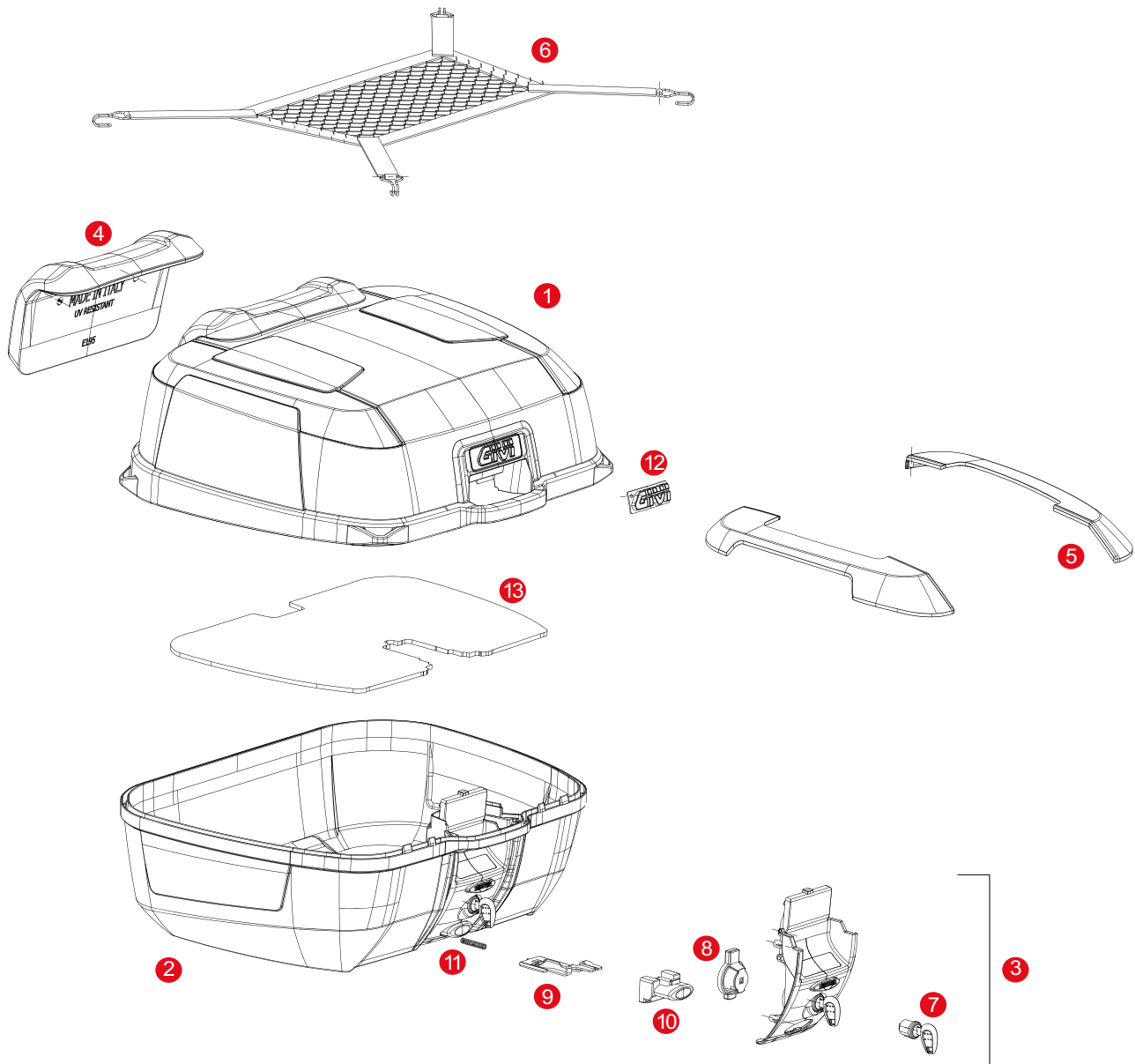


B45+



1	ZB45CNM	B45+ assembled Top Shell
2	ZB45FNM	B45+ assembled Bottom Shell
3	Z2751M-B45R	Lock set
4	Z195ER	Backrest
5	ZB211CPR	Pair of upper plates painted in brushed silver colour
6	ZE45R	Elastic cargo upper net

7	Z140R	Key locks with corresponding bush with red handle
8	Z3006R	Plate below lock, for standard key
9	Z762NR	Bolt, 1 pcs.
10	Z645NR	Push button black
11	Z191R	Push button spring, 1 pcs.
12	Z229	Chromed GIVI brand
13	Z9426R	Inner mat