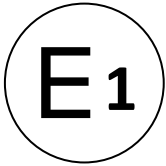




Kraftfahrt-Bundesamt

DE-24932 Flensburg



MITTEILUNG

ausgestellt von:

Kraftfahrt-Bundesamt

über die Erteilung einer Genehmigung für einen Schutzhelmtyp mit einem Visiertyp(en) nach der Regelung Nr. 22 einschließlich Änderung Nr. 06 Ergänzung 02

COMMUNICATION

issued by:

Kraftfahrt-Bundesamt

concerning the granting of an approval of a type of protective helmet with one visor type(s) pursuant to Regulation No. 22 including amendment No. 06 supplement 02

Genehmigungsnummer: **E1*22R06/02*300985*00**

Approval number:

1. Fabrik- oder Handelsmarke:
Trade name or mark:
MHR, LS2, TAKAI
2. Typ:
Type:
FF908
3. Größen:
Sizes:
XS 53-54, S 55-56, M 57-58, L 59-60, XL 61-62, XXL 63-64, XXXL 65-66
4. Name des Herstellers:
Manufacturer's name:
**JIANGMEN PENGCHENG HELMETS LTD.
CN-Gonghe Town, Heshan City**
5. Anschrift:
Address:
**Siehe Punkt 4.
See item 4.**
6. Name des Vertreters des Herstellers (gegebenenfalls):
Name of manufacturer's representative (if any):
**Entfällt
Not applicable**



Kraftfahrt-Bundesamt

DE-24932 Flensburg

2

Genehmigungsnummer: **E1*22R06/02*300985*00**

Approval Number:

7. Anschrift:
 Address:
 Siehe Punkt 6.
 See item 6.

8. Kurze Beschreibung des Helms:
 Brief description of helmet:
 Siehe Anlagen
 See enclosures

9. **Helm mit abnehmbarer unterer Gesichtsabdeckung (P/J)**
 Helmet with removable lower face cover (P/J)

10. Visiertyp oder Visiertypen:
 Type of visor or visors:
 FF-MHR-108
 E1 22R 06300986

11. Kurze Beschreibung des Visiers oder der Visiere:
 Brief description of visor(s):
 Siehe Anlagen
 See enclosures

12. Helm betriebsbereit für spezifisches Zubehör (SA)/ betriebsbereit für universelles
 Zubehör (UA)
 Helmet ready for specific accessory (SA)/ready for universal accessories (UA)
 Entfällt
 Not applicable

13. In der Helmhomologation enthaltenes Zubehör und Funktionalität:
 Accessories included in the helmet homologation and functionality:
 Entfällt
 Not applicable

14. Wenn UA-Helm:
 If UA helmet:
 Entfällt
 Not applicable

15. Zur Genehmigung vorgelegt am:
 Submitted for approval on:
 24.03.2023



Kraftfahrt-Bundesamt

DE-24932 Flensburg

3

Genehmigungsnummer: **E1*22R06/02*300985*00**

Approval Number:

16. Technischer Dienst, der die Prüfungen für die Genehmigungen durchführt:
Technical service responsible for conducting approval tests:
Technischer Dienst der TÜV Rheinland Kraftfahrt GmbH
DE-51105 Köln
17. Datum des Gutachtens des Technischen Dienstes:
Date of report issued by that service:
15.03.2023
18. Nummer des Gutachtens des Technischen Dienstes:
Number of report issued by that service:
85-R22-304/23-00
19. Bemerkung(en):
Remark(s):
Handelsbezeichnung(en):
General commercial description(s):
FF908, FF908-1, STROBE II, STROBE
20. Die Genehmigung wird **erteilt**
Approval is **granted**
21. Ort: **DE-24932 Flensburg**
Place:
22. Datum: **12.04.2023**
Date:
23. Unterschrift: **Im Auftrag**
Signature:


(D. Stieglitz)





Kraftfahrt-Bundesamt

DE-24932 Flensburg

4

Genehmigungsnummer: **E1*22R06/02*300985*00**

Approval Number:

24. Folgende mit der oben erwähnten Genehmigungsnummer versehene Dokumente sind auf Anforderung erhältlich:
The following documents, bearing the approval number shown above, are available on request:

Anlagen:

Enclosures:

Gemäß Inhaltsverzeichnis

According to index



Kraftfahrt-Bundesamt

DE-24932 Flensburg

Zu: E1*22R06/02*300985*00

To:

Erklärung über die Einhaltung der Anforderungen hinsichtlich der Übereinstimmung der Produktion gemäß dem Übereinkommen von 1958
Statement of compliance with the conformity of the production requirements of the 1958 Agreement

1. Name des Herstellers:
Manufacturer's name:
JIANGMEN PENGCHENG HELMETS LTD.
CN-Gonghe Town, Heshan City
2. Datum der Anfangsbewertung:
Date of the initial assessment:
10.08.2015
3. Datum aller durchgeführten Überwachungstätigkeiten:
Date of any surveillance activities:

Aktenzeichen Register number	Datum der Begehung Date of inspection	Genehmigungsnummer Approval number
CoP-Q: Entfällt Not applicable		
CoP-P: P-501834	12.06.2018	05300517, Erweiterung 02
P-503485	17.03.2022	E1*22R05/03*300584*02



Kraftfahrt-Bundesamt

DE-24932 Flensburg

Zu: **E1*22R06/02*300985*00**

To:

Inhaltsverzeichnis zu den Beschreibungsunterlagen Index to the information package

Ausgabedatum: **12.04.2023** Letztes Änderungsdatum: **--**
Date of issue: Last date of amendment:

Nebenbestimmungen und Rechtsbehelfsbelehrung
Collateral clauses and instruction on right to appeal

Prüfbericht(e) Nr.: Datum:
Test report(s) No.: Date:
85-R22-304/23-00 **15.03.2023**

Beschreibungsbogen Nr.: Datum:
Information document No.: Date:
MHR-FF908-00 **01.02.2023**

Liste der Änderungen: Datum:
List of modifications: Date:
Entfällt
Not applicable



Kraftfahrt-Bundesamt

DE-24932 Flensburg

Nummer der Genehmigung: **E1*22R06/02*300985*00**

- Anlage -

Nebenbestimmungen und Rechtsbehelfsbelehrung

Nebenbestimmungen

Jede Einrichtung, die dem genehmigten Typ entspricht, ist gemäß der angewendeten Vorschrift zu kennzeichnen.

Die Einzelerzeugnisse der reihenweisen Fertigung müssen mit den Genehmigungsunterlagen genau übereinstimmen. Änderungen an den Einzelerzeugnissen sind nur mit ausdrücklicher Zustimmung des Kraftfahrt-Bundesamtes gestattet.

Änderungen der Firmenbezeichnung, der Anschrift und der Fertigungsstätten sowie eines bei der Erteilung der Genehmigung benannten Zustellungsbevollmächtigten oder bevollmächtigten Vertreters sind dem Kraftfahrt-Bundesamt unverzüglich mitzuteilen.

Verstöße gegen diese Bestimmungen können zum Widerruf der Genehmigung führen und können überdies strafrechtlich verfolgt werden.

Die Genehmigung erlischt, wenn sie zurückgegeben oder entzogen wird, oder der genehmigte Typ den Rechtsvorschriften nicht mehr entspricht. Der Widerruf kann ausgesprochen werden, wenn die für die Erteilung und den Bestand der Genehmigung geforderten Voraussetzungen nicht mehr bestehen, wenn der Genehmigungsinhaber gegen die mit der Genehmigung verbundenen Pflichten - auch soweit sie sich aus den zu dieser Genehmigung zugeordneten besonderen Auflagen ergeben - verstößt oder wenn sich herausstellt, dass der genehmigte Typ den Erfordernissen der Verkehrssicherheit oder des Umweltschutzes nicht entspricht.

Das Kraftfahrt-Bundesamt kann jederzeit die ordnungsgemäße Ausübung der durch diese Genehmigung verliehenen Befugnisse, insbesondere die genehmigungsgerechte Fertigung sowie die Maßnahmen zur Übereinstimmung der Produktion, nachprüfen. Es kann zu diesem Zweck Proben entnehmen oder entnehmen lassen. Dem Kraftfahrt-Bundesamt und/oder seinen Beauftragten ist ungehinderter Zutritt zu Produktions- und Lagerstätten zu gewähren.

Die mit der Erteilung der Genehmigung verliehenen Befugnisse sind nicht übertragbar. Schutzrechte Dritter werden durch diese Genehmigung nicht berührt.

Rechtsbehelfsbelehrung

Gegen diese Genehmigung kann innerhalb eines Monats nach Bekanntgabe Widerspruch erhoben werden. Der Widerspruch ist beim **Kraftfahrt-Bundesamt, Fördestraße 16, DE-24944 Flensburg**, schriftlich oder zur Niederschrift einzulegen.



Kraftfahrt-Bundesamt

DE-24932 Flensburg

2

Approval No.: **E1*22R06/02*300985*00**

- Attachment -

Collateral clauses and instruction on right to appeal

Collateral clauses

All equipment which corresponds to the approved type is to be identified according to the applied regulation.

The individual production of serial fabrication must be in exact accordance with the approval documents. Changes in the individual production are only allowed with express consent of the Kraftfahrt-Bundesamt.

Changes in the name of the company, the address and the manufacturing plant as well as one of the parties given the authority to delivery or authorised representative named when the approval was granted is to be immediately disclosed to the Kraftfahrt-Bundesamt.

Breach of this regulation can lead to recall of the approval and moreover can be legally prosecuted.

The approval expires if it is returned or withdrawn or if the type approved no longer complies with the legal requirements. The revocation can be made if the demanded requirements for issuance and the continuance of the approval no longer exist, if the holder of the approval violates the duties involved in the approval, also to the extent that they result from the assigned conditions to this approval, or if it is determined that the approved type does not comply with the requirements of traffic safety or environmental protection.

The Kraftfahrt-Bundesamt may check the proper exercise of the conferred authority taken from this approval at any time. In particular this means the compliant production as well as the measures for conformity of production. For this purpose samples can be taken or have taken. The employees or the representatives of the Kraftfahrt-Bundesamt may get unhindered access to the production and storage facilities.

The conferred authority contained with issuance of this approval is not transferable. Trade mark rights of third parties are not affected with this approval.

Instruction on right to appeal

This approval can be appealed within one month after notification. The appeal is to be filed in writing or as a transcript at the **Kraftfahrt-Bundesamt, Fördestraße 16, DE-24944 Flensburg.**

Type : FF908

Manufacturer : Jiangmen Pengcheng Helmets Ltd.

TEST REPORT

according to

UN-R 22

Uniform provisions concerning the approval of protective helmets and their visors for drivers and passengers of motor cycles and mopeds

as last amended by

06 series of amendments, Suppl. 2

For the Type Approval of:

- Helmet + Visor
- Helmet
- Visor

Approval Status

UN-approval : E1*22R06/02*300985*00 (reseeded)

Structure of the Test Report

Item no.

- 0. General information
- 1. Tested vehicle(s)/object(s)
- 2. Test record
- 3. Appendices
- 4. Statement of conformity

The Test Report shall be reproduced and published only in its entirety by the client. It may however be reproduced and published partially, but only with the written permission of the Technical Service.

Type : FF908

Manufacturer : Jiangmen Pengcheng Helmets Ltd.

0. General information

- 0.1. Make (trade name of the manufacturer) : MHR, LS2, TAKAI
- 0.2. Type : FF908
 - Commercial description(s) : FF908, FF908-1, STROBE II, STROBE
 - Version(s) : ---
- 0.3. Helmet category : see appendix L, item 9
- 0.4. Name and address of the manufacturer : Jiangmen Pengcheng Helmets Ltd.
NO.01-7 Dongsheng Road, Gonghe Town, Heshan City,
Jiangmen City, Guangdong Province, 529728, P.R.China
- 0.5. No. of the information document : MHR-FF908-00
 - Date of issue : February 01, 2023
 - Date of last change : ---

1. Tested vehicle(s) / object(s)

- 1.1. Description
 - 1.1.1. Object : see appendix L, item 8
 - Trade name : see appendix L, item 1
 - Type(s) /variant(s) / version(s) : see appendix L, item 2
 - Identification number : without
 - 1.1.2. Condition of vehicle(s)/object(s) : new, ~~used, pretested~~
- 1.2. Worst case configuration : No worst case assessment required (only one variant/version or no variants/versions)

~~There is no worst case selection applicable because all versions mentioned in the information folder are tested.~~
- 1.3. Remarks : without

R22 E1*22R06/02*300985*00

Type : FF908

Manufacturer : Jiangmen Pengcheng Helmets Ltd.

2. Test record

2.1. Equipment for measuring and testing : The test and measurement equipment used were in compliance with the test requirements.

2.1.1. Specifications for the test site : not applicable

2.1.2. Subcontracting : not applicable

2.2. Test results

Remarks concerning extension : not applicable

~~The helmet type has been tested according to the modification(s) mentioned in appendix 0.~~~~The new parts meet the requirements of the regulation.~~~~An actual practical test of the helmet was not necessary. The results of the previous test(s) are still valid.~~

Test results referring to measurements : passed

Test results of not measurable attributes : not applicable

Alternative test methods : not applicable

2.3. Additional information : The results of the test refer exclusively to the object(s) mentioned under point 1. of this report.

Test site(s) : TÜV Rheinland (Guangdong) Ltd.
Guangzhou Helmet Laboratory
No.767 Tianyuan Road, Tianhe District,
Guangzhou 510650, P.R. China

Test date : February 02, 2022 -February 22, 2023

2.4. Remarks : without

R22 E1*22R06/02*300985*00

Type : FF908

Manufacturer : Jiangmen Pengcheng Helmets Ltd.

3. Appendices

- Appendix 0 : List of modifications
- Appendix L : Technical description of type and Communication concerning the UN-approval
- Appendix 1 : Test minutes
- Information document : MHR-FF908-00 (27 pages)

4. Statement of conformity

The Information Document listed in section 0.5., and the type described therein, comply with the requirements stated on page 1. The test results in this report refer to the ~~vehicle(s)~~ object(s) described under section 1.1. With regards to the required level of performance to be achieved, the tested samples were representative for the type to be approved (see section 1.2).

The tests were carried out in accordance with the relevant requirements of EN ISO/IEC 17025:2017.

Engineering Centre Shanghai, March 15, 2023

KWU / CGC



Kevin Wu

Technical Expert Technical Service

Type : FF908

Manufacturer : Jiangmen Pengcheng Helmets Ltd.

List of modifications

Appendix 0

Correction of : -

Modification of : -

Addition of : -

Deletion of : -

R22 E1*22R06/02*300985*00

Type : FF908

Manufacturer : Jiangmen Pengcheng Helmets Ltd.

Communication concerning the type approval

Appendix L

1	Trade mark	:	MHR, LS2, TAKAI
2	Type	:	FF908
	Commercial description(s)	:	FF908, FF908-1, STROBE II, STROBE
	Versions(s)	:	---
3	Sizes	:	XS 53-54, S 55-56, M 57-58, L 59-60, XL 61-62, XXL 63-64, XXXL 65-66
4	Manufacturer's name	:	Jiangmen Pengcheng Helmets Ltd.
5	Address of manufacturer	:	NO.01-7 Dongsheng Road, Gonghe Town, Heshan City, Jiangmen City, Guangdong Province, 529728, P.R.China
6	If applicable, name of manufacturer's representative	:	not applicable
7	Address of manufacturer's representative	:	not applicable
8	Brief description of helmet	:	<p>The integral-faced helmet FF908 is of ABS shell (Acrylonitrile-Butadiene-Styrene).</p> <p>The protective padding is made of one EPS (Expanded Poly Styrene).</p> <p>The adoption to the different head sizes is done by different shells, different thickness of the size liner, and different thickness of the comfort padding.</p> <p>The helmet is fitted with 1 visor with separate approval and with 1 sun shield.</p> <p>The sun shield of SF-MHR-23 is tinted, made of Polycarbonate (PC), and a thickness of 1.6 mm.</p>
9	Helmet category	:	with detachable or movable lower face cover (P/J)
10	Type of visor or visors	:	FF-MHR-108
11	Brief description of visor or visors	:	<p>Clear visor, made of Polycarbonate (PC) with hardened coating on the surface, and a thickness of 1.8mm.</p> <p>Refer to the type approval: E1*22R06/02*300986*00</p>
12	Submitted for approval on	:	February 02, 2022 -February 22, 2023
13	Technical service responsible for conducting approval tests	:	<p>TÜV Rheinland Kraftfahrt GmbH</p> <p>Typprüfstelle Fahrzeuge/Fahrzeugteile</p> <p>Am Grauen Stein</p> <p>51105 Köln</p>
14	Date of report issued by that service	:	March 15, 2023
15	Number of report issued by that service	:	85-R22-304/23-00
16	Comments	:	not applicable
17	Approval	:	Granted / extended / refused / withdrawn

R22 E1*22R06/02*300985*00

Type : FF908

Manufacturer : Jiangmen Pengcheng Helmets Ltd.

Test minutes

Appendix 1

General Requirements for Helmets

- | | | | |
|-----|--|---|--|
| 1 | Basic construction
(6.1) | : | The helmet consists of a shell, protective padding, comfort padding and a retention system. |
| 2 | Additional construction
(6.2/ 6.2.1) | : | refer Appendix L, item 8 |
| 3 | Lower face cover
(6.2.2.) | : | refer Appendix L, item 9 |
| 4 | Protection areas
(6.4) | : | The shell and padding of the helmets of each size cover the required areas. |
| 5 | Hearing ability and temperature
(6.5) | : | <p>The wearer's ability to hear is not dangerously affected by the helmet.</p> <p>The helmet has ventilation holes in the shell to prevent overheating.</p> |
| 6 | Outer projections
(6.6 / 6.7) | : | <p>All external projections are rounded and smooth.
All external projections ≤ 2 mm have a radius ≥ 1 mm.</p> <p>There are projections of the outer shell, greater than 2mm.
All external projections > 2 mm have a radius ≥ 2 mm.
The shear assessment was successful.</p> |
| 7 | Inner projections
(6.8) | : | No inward facing sharp edges. All internal parts are covered with padding. |
| 8 | Helmet components
(6.9) | : | The components of the helmet are assembled in a way that they do not become easily detached as a result of impact. |
| 9 | Retention system | | |
| 9.1 | Abrasion protection
(6.10) | : | The wearer is protected from abrasion by the retention system. |
| 9.2 | General
(6.11) | : | <p>The retention system fully complies with the requirements of the regulation:</p> <ul style="list-style-type: none"> - Retention System is permanently attached - Chin strap is adjustable and maintains tension - Strap has a width of minimum 20 mm - No chin-cup - No rigid parts 130 mm below head form reference plane |

R22 E1*22R06/02*300985*00

Type : FF908

Manufacturer : Jiangmen Pengcheng Helmets Ltd.

- Total opening of retention system only with voluntary action
 - Detailed instructions for use of the buckle
 - If sliding bar or double D ring: red pulling flap with minimum dimensions of 10x20 mm is provided
 - Buckle cannot be left in partially closed position
- 9.3 Chin strap (6.11.1 / 7.12.1.1) : Under a load of 150 N the width of the chin strap is > 20 mm.
The chin strap is covered with an additional comfort padding.
It is not possible to open the quick-release mechanism with a ball of diameter 100 mm.
- 10 Detachable/movable face cover (6.12) : The lower face cover complies with the requirements of the regulation:
 - Device maintains intended position during tests
 - Incorrect handling is impossible
 - Control / actuating device is red
 Helmet complies with requirements of category "J" and "P"
- 11 Materials (6.13) : The materials used for the helmet comply with the regulation.
- 12 Breakage and deformation (6.14) : The helmet does not show breakage or deformation dangerous to the wearer after testing.
- 13 Peripheral vision (6.15) : Complies with the requirements of the regulation, refer test results.
- 14 Sun shield
- 14.1 General (6.17.1) : The sun shield does not affect the visor in any way.
The sun shield is controlled separately from the visor.
- 14.2 Field of Vision (6.17.2) : Complies with the requirements of the regulation, see also test results:
 - Field of Vision
 - Luminous transmittance
 - No defects impairing vision
 - No noticeable distortion
 - Spectral transmittance
 - Reflective power values
- 15 Conspicuity marking (6.18) : The helmet is not equipped with retroreflective parts.

R22 E1*22R06/02*300985*00

Type : FF908**Manufacturer** : Jiangmen Pengcheng Helmets Ltd.

16 Information (14) : Manufacturer-information about size and weight are located on the outer shell by adhesive label(s). Additional consumer information in accordance with the UN-R 22 is given by the owner's manual. It has to always be enclosed to the offered helmet.

R22 E1*22R06/02*300985*00

Type : FF908

Manufacturer : Jiangmen Pengcheng Helmets Ltd.

6.15. Peripheral vision

P configuration:

Helmet Size	Test head	horizontal angle [°] (min. 210°)	upwards angle [°] (min. 7°)	downwards angle [°] (min. 45°)
XS 53-54	535	214	7	46
XL 61-62	625	216	7	47

R22 E1*22R06/02*300985*00

Type : FF908

Manufacturer : Jiangmen Pengcheng Helmets Ltd.

7.3. Impact-absorption-tests

All values are within the limits of the regulation, 275 g respectively 2400 HIC.

P configuration:

helmet size : XS 53-54
 test-head-size : 535
 anvil : Flat (Helm. 1), Kerbstone (Helm. 2)

Conditioning	Impact point	Res. acceleration [g]	HIC [-]
Helmet 1 Low Temp. (-10°C)	B	145	1113
	XL	179	1341
	P	209	2167
	R	163	1373
	S	154	521
Helmet 2 High Temp. (+50°C)	B	118	854
	XL	139	857
	P	169	1359
	R	139	939
	S	---	---

helmet size : S 55-56
 test-head-size : 535
 anvil : Flat (Helm. 3), Kerbstone (Helm. 4), Kerbstone (Helm. 5)

Conditioning	Impact point	Res. acceleration [g]	HIC [-]
Helmet 3 Ambient	B	161	1282
	XR	186	1433
	P	195	1943
	R	157	1288
	S	---	---
Helmet 4 Ambient	B	124	886
	XR	160	1012
	P	168	1398
	R	123	863
	S	---	---
Helmet 5 Artificial ageing	B	131	922
	XL	161	1020
	P	167	1437
	R	143	1034
	S	---	---

Test Report No. 85-R22-304/23-00

Type : FF908

Manufacturer : Jiangmen Pengcheng Helmets Ltd.

helmet size : S 55-56
 test-head-size : 535
 anvil : Flat (Helm. 6), Kerbstone (Helm. 7)

Conditioning	Impact point	Res. acceleration [g]	HIC [-]
Helmet 6 Low Temp. (-10°C)	B	170	1300
	XL	180	1320
	P	209	2070
	R	160	1279
	S	125	395
Helmet 7 High Temp. (+50°C)	B	125	938
	XL	174	1056
	P	218	1627
	R	144	1058
	S	---	---

helmet size : M 57-58
 test-head-size : 575
 anvil : Flat (Helm. 8), Kerbstone (Helm. 9)

Conditioning	Impact point	Res. acceleration [g]	HIC [-]
Helmet 8 Low Temp. (-10°C)	B	183	1608
	XL	196	1535
	P	214	2150
	R	181	1722
	S	108	352
Helmet 9 High Temp. (+50°C)	B	127	957
	XL	133	838
	P	142	1180
	R	141	1016
	S	---	---

R22 E1*22R06/02*300985*00

Type : FF908

Manufacturer : Jiangmen Pengcheng Helmets Ltd.

helmet size : L 59-60
 test-head-size : 605
 anvil : Flat (Helm. 10), Kerbstone (Helm. 11), Kerbstone (Helm. 12)

Conditioning	Impact point	Res. acceleration [g]	HIC [-]
Helmet 10 Ambient	B	174	1419
	XR	199	1416
	P	196	1852
	R	196	1845
	S	---	---
Helmet 11 Ambient	B	148	1141
	XR	175	1116
	P	266	1637
	R	150	1118
	S	---	---
Helmet 12 Artificial ageing	B	185	1490
	XL	186	1309
	P	210	1949
	R	176	1520
	S	---	---

helmet size : L 59-60
 test-head-size : 605
 anvil : Flat (Helm. 13), Kerbstone (Helm. 14)

Conditioning	Impact point	Res. acceleration [g]	HIC [-]
Helmet 13 Low Temp. (-10°C)	B	213	1690
	XL	184	1301
	P	196	1862
	R	202	1794
	S	182	689
Helmet 14 High Temp. (+50°C)	B	146	1053
	XL	146	845
	P	158	1185
	R	146	1101
	S	---	---

Type : FF908

Manufacturer : Jiangmen Pengcheng Helmets Ltd.

helmet size : XXXL 65-66
 test-head-size : 625
 anvil : Flat (Helm. 15), Kerbstone (Helm. 16), Flat (Helm. 17)

Conditioning	Impact point	Res. acceleration [g]	HIC [-]
Helmet 15 Ambient	B	195	1663
	XR	214	1635
	P	222	2042
	R	224	2129
	S	---	---
Helmet 16 Ambient	B	136	1014
	XR	178	1112
	P	240	1550
	R	141	1108
	S	---	---
Helmet 17 Artificial ageing	B	184	1538
	XL	192	1342
	P	221	2145
	R	223	2145
	S	---	---

helmet size : XXXL 65-66
 test-head-size : 625
 anvil : Flat (Helm. 18), Kerbstone (Helm. 19)

Conditioning	Impact point	Res. acceleration [g]	HIC [-]
Helmet 18 Low Temp. (-10°C)	B	183	1608
	XL	196	1535
	P	214	2150
	R	181	1722
	S	108	352
Helmet 19 High Temp. (+50°C)	B	144	943
	XL	226	1210
	P	183	1283
	R	135	994
	S	---	---

Type : FF908

Manufacturer : Jiangmen Pengcheng Helmets Ltd.

J configuration:

helmet size : L 59-60
 test-head-size : 605
 anvil : Flat (Helm. 20), Kerbstone (Helm. 21)

Conditioning	Impact point	Res. acceleration [g]	HIC [-]
Helmet 20 Low Temp. (-10°C)	B	125	654
	XL	180	1279
	P	190	1952
	R	190	1599
	S	---	---
Helmet 21 High Temp. (+50°C)	B	103	464
	XL	159	797
	P	216	1357
	R	158	983
	S	---	---

helmet size : XXXL 65-66
 test-head-size : 625
 anvil : Flat (Helm. 22), Kerbstone (Helm. 23)

Conditioning	Impact point	Res. acceleration [g]	HIC [-]
Helmet 22 Low Temp. (-10°C)	B	152	982
	XL	183	1260
	P	207	2308
	R	237	2228
	S	---	---
Helmet 23 High Temp. (+50°C)	B	96	392
	XL	137	746
	P	174	1208
	R	140	1110
	S	---	---

R22 E1*22R06/02*300985*00

Type : FF908

Manufacturer : Jiangmen Pengcheng Helmets Ltd.

Low energy impact

All values are within the limits of the regulation, 180 g respectively 1300 HIC.

P configuration:

helmet size : S 55-56
 test-head-size : 535
 anvil : Flat (Helm. 24)

Conditioning	Impact point	Res. acceleration [g]	HIC [-]
Helmet 24 Ambient	B	135	760
	XL	134	709
	P	153	1120
	R	137	795
	S	---	---

helmet size : L 59-60
 test-head-size : 605
 anvil : Flat (Helm. 25)

Conditioning	Impact point	Res. acceleration [g]	HIC [-]
Helmet 25 Ambient	B	118	676
	XL	92	423
	P	111	566
	R	106	518
	S	---	---

helmet size : XXXL 65-66
 test-head-size : 625
 anvil : Kerbstone (Helm. 26)

Conditioning	Impact point	Res. acceleration [g]	HIC [-]
Helmet 26 Ambient	B	148	890
	XL	134	692
	P	148	1116
	R	176	1282
	S	---	---

Type : FF908

Manufacturer : Jiangmen Pengcheng Helmets Ltd.

J configuration:

helmet size : XXXL 65-66
 test-head-size : 625
 anvil : Flat (Helm. 27)

Conditioning	Impact point	Res. acceleration [g]	HIC [-]
Helmet 27 Ambient	B	64	158
	XL	94	406
	P	107	553
	R	122	685
	S	---	---

High energy impact

All values are within the limits of the regulation, 275 g respectively 2880 HIC.

P configuration:

helmet size : S 55-56
 test-head-size : 535
 anvil : Flat (Helm. 28)

Conditioning	Impact point	Res. acceleration [g]	HIC [-]
Helmet 28 Ambient	B	177	1594
	XL	218	1929
	P	223	2601
	R	179	1618
	S	---	---

helmet size : L 59-60
 test-head-size : 605
 anvil : Flat (Helm. 29)

Conditioning	Impact point	Res. acceleration [g]	HIC [-]
Helmet 29 Ambient	B	220	2059
	XL	235	1880
	P	226	2533
	R	205	1869
	S	---	---

Type : FF908

Manufacturer : Jiangmen Pengcheng Helmets Ltd.

helmet size : XXXL 65-66
 test-head-size : 625
 anvil : Kerbstone (Helm. 30)

Conditioning	Impact point	Res. acceleration [g]	HIC [-]
Helmet 30 Ambient	B	220	2099
	XL	232	1860
	P	257	2759
	R	243	2669
	S	---	---

J configuration:

helmet size : XXXL 65-66
 test-head-size : 625
 anvil : Flat (Helm. 31)

Conditioning	Impact point	Res. acceleration [g]	HIC [-]
Helmet 31 Ambient	B	132	757
	XL	219	1757
	P	215	2568
	R	246	2630
	S	---	---

R22 E1*22R06/02*300985*00

Type : FF908

Manufacturer : Jiangmen Pengcheng Helmets Ltd.

Extra point

All values are within the limits of the regulation, 275 g respectively 2400 HIC.

P configuration:

helmet size : L 59-60
 test-head-size : 605
 anvil : Flat (Helm. 32)

Conditioning	Impact point	Res. acceleration [g]	HIC [-]
Helmet 32 Ambient	BXR	207	1561
	RXPR	186	1789
	RXL	193	1601
	BXPL	188	1714

helmet size : XXXL 65-66
 test-head-size : 625
 anvil : Kerbstone (Helm. 33)

Conditioning	Impact point	Res. acceleration [g]	HIC [-]
Helmet 33 Ambient	BXL	154	995
	RXPL	161	1242
	RXR	147	1010
	BXPR	140	1109

7.4.2 Test for projections and surface friction (method B).

J configuration:

All values are within the limits of the regulation.

Helmet size	M 57-58	
Test head size	575	
	Test with positive result at the following points of the outer shell:	
1.	Rear air vent sliding tangential at the projection	Positive
2.	Main outer shell area test for friction assessment	Positive

Type : FF908

Manufacturer : Jiangmen Pengcheng Helmets Ltd.

7.4.3 Test for projections of the category P/J with movable lower face cover.
(strength assessment of the movable face cover in the position "J")

Complies with the requirements of the regulation.

7.5 Rigidity test

All values are within the limits of the regulation.

P configuration:

Helmet Size	Direction	Deformation [mm] (max. 40 mm)	Permanent deformation [mm] (max. 15 mm)
S 55-56	longitudinal	26	9
	transversal	14	5
L 59-60	longitudinal	14	4
	transversal	10	3
XXXL 65-66	longitudinal	10	3
	transversal	11	3

J configuration:

Helmet Size	Direction	Deformation [mm] (max. 40 mm)	Permanent deformation [mm] (max. 15 mm)
XXXL 65-66	longitudinal	15	6
	transversal	11	4

R22 E1*22R06/02*300985*00

Type : FF908

Manufacturer : Jiangmen Pengcheng Helmets Ltd.

7.6. Dynamic test of the retention system

All values are within the limits of the regulation.

P configuration:

Helmet Size	Headsizes	dyn.movement [mm] (max. 35 mm)	stat.movement [mm] (max.25 mm)	Remarks
XS 53-54	535	29.8	14.3	--
M 57-58	575	28.6	12	
XL 61-62	625	27.6	13.5	--

J configuration:

Helmet Size	Headsizes	dyn.movement [mm] (max. 35 mm)	stat.movement [mm] (max.25 mm)	Remarks
XL 61-62	625	26.8	11.3	--

R22 E1*22R06/02*300985*00

Type : FF908

Manufacturer : Jiangmen Pengcheng Helmets Ltd.

- 7.7.2. Retention (detaching) test
 [Weight hooked to the front border]
 All values are within the limits of the regulation.

P configuration:

Helmet Size	Headsizes	angle of movement [°] (max. 30°)	Remarks
XS 53-54	535	21	Front to rear
M 57-58	575	20	Front to rear
XL 61-62	625	6	Front to rear

J configuration:

Helmet Size	Headsizes	angle of movement [°] (max. 30°)	Remarks
XL 61-62	625	14	Front to rear

- 7.7.3./4. Retention (detaching) test
 [Falling mass]
 All values are within the limits of the regulation.

P configuration:

Helmet Size	Headsizes	angle of movement [°] (max. 30°)	Remarks
XS 53-54	535	24	Rear to front
M 57-58	575	24	Rear to front
XL 61-62	625	20	Rear to front

J configuration:

Helmet Size	Headsizes	angle of movement [°] (max. 30°)	Remarks
XL 61-62	625	25	Rear to front

Type : FF908

Manufacturer : Jiangmen Pengcheng Helmets Ltd.

7.8. Visor tests

Refer to visor type approval No.: E1*22R06/02*300986*00

7.9. Sun shield tests of SF-MHR-23

All values are within the limits of the regulation.

Luminous transmittance [6.17.2.2.] / road traffic sign and signals [6.17.2.4.]

Luminous transmittance τ_v (D65) (>0,8) (daytime : > 0,35; Sun shield: > 0,20)	$Q_{Red} \geq 0,8$	$Q_{Yellow} \geq 0,6$	$Q_{green} \geq 0,6$	$Q_{blue} \geq 0,6$
0.240	Pass	Pass	Pass	Pass
0.240	Pass	Pass	Pass	Pass
0.230	Pass	Pass	Pass	Pass

Spectral transmittance ($\geq 0,2\tau_v$) [6.17.2.5]

0.187
0.191
0.189

Refractive powers

Spherical effect [m^{-1}]	Astigmatic effect [m^{-1}]	Prismatic Diff. Effect [cm/m]		
		horizontal base		vertical base
		outside	inside	
$\leq \pm 0.12$	≤ 0.12	≤ 1.00	≤ 0.25	≤ 0.25
-0.05	0.06	0.20	--	0.04
-0.06	0.09	0.45	--	0.08
-0.06	0.11	0.46	--	0.07

Type : FF908

Manufacturer : Jiangmen Pengcheng Helmets Ltd.

7.10 Microslip-test of the chin strap

All values are within the limits of the regulation.

Movement:	< 10.0 mm	Limit: ≤ 10 mm
-----------	-----------	----------------

7.11 Test for resistance to abrasion of the chin strap

Not applicable.

7.12 Tests for retention systems relying on quick-release mechanisms

All values are within the limits of the regulation.

Operation force of the automatic buckle ≤ 30 N (Measured at static load of 150 N)

Resistance of the automatic buckle

The load of 2000 N at the automatic buckle made no fracture or disengage. After the test the automatic buckle was still be capable of operation.

R22 E1*22R06/02*300985*00

Type : FF908

Manufacturer : Jiangmen Pengcheng Helmets Ltd.

7.13. Oblique impact test method of measuring rotational acceleration

All values are within the limits of the regulation, 10400 rad/s² respectively BrIC 0,78.

P configuration:

Headsize	Cond.	Anvil Shape	Point	Helmet Size	Rotation [rad/s ²]	BrIC	Remark
535	AMB	45°	FLR	S 53-54	2436	0.44	--
535	AMB	45°	Rear	S 53-54	3782	0.37	--
535	AMB	45°	LL	S 53-54	3367	0.46	--
535	AMB	45°	Front	S 53-54	2301	0.42	--
535	AMB	45°	RLR	S 53-54	2388	0.32	--
605	AMB	45°	FLR	L 59-60	5199	0.39	--
605	AMB	45°	Rear	L 59-60	3457	0.21	--
605	AMB	45°	LL	L 59-60	4046	0.35	--
605	AMB	45°	Front	L 59-60	4206	0.26	--
605	AMB	45°	RLR	L 59-60	2447	0.35	--
625	AMB	45°	FLR	XXXL 65-66	1920	0.26	--
625	AMB	45°	Rear	XXXL 65-66	2524	0.4	--
625	AMB	45°	LL	XXXL 65-66	1948	0.23	--
625	AMB	45°	Front	XXXL 65-66	2775	0.46	--
625	AMB	45°	RLR	XXXL 65-66	1946	0.33	--

R22 E1*22R06/02*300985*00

Type : FF908

Manufacturer : Jiangmen Pengcheng Helmets Ltd.

J configuration:

Headsize	Cond.	Anvil Shape	Point	Helmet Size	Rotation [rad/s ²]	BrIC	Remark
625	AMB	45°	FLR	XXXL 65-66	1874	0.39	--
625	AMB	45°	Rear	XXXL 65-66	2588	0.26	--
625	AMB	45°	LL	XXXL 65-66	2606	0.47	--
625	AMB	45°	Front	XXXL 65-66	2721	0.29	--
625	AMB	45°	RLR	XXXL 65-66	3241	0.43	--

R22 E1*22R06/02*300985*00

Jiangmen Pengcheng Helmets Ltd.

Information folder No. MHR-FF908-00

Application date: February 01, 2023

Content

DOCUMENT	PAGE
Technical description	2-3
Assembly drawing	4
Material list of parts	5
Helmet section view	6-8
Dimension and weight of helmet (tolerances incorporated)	9
Impact absorption material thickness	10
EPS details	11-16
Retention system	17
Retention system position	18-20
Retention system operation	21
Drawings and details for visor	22
Drawings and details for Sunshield	23
Approval marking(s)	24
Label marking(s)	25
Helmet assembly pictures	26-27

Type FF908

Page 1 of 27

Jiangmen Pengcheng Helmets Ltd.

Information folder No. MHR-FF908-00

Application date: February 01, 2023

INFORMATION DOCUMENT FOR TYPE-APPROVAL OF PROTECTIVE HELMETS AND/OR¹ OF THEIR VISORS FOR DRIVERS AND PASSENGERS OF MOTOR CYCLES AND MOPEDS

1. Make (trade name or mark of the manufacturer) : MHR, LS2, TAKAI
2. Type : FF908
Commercial description(s) : FF908, FF908-1, STROBE II, STROBE
Version : N/A
3. Sizes : XS(53cm-54cm), S(55cm-56cm), M(57cm-58cm), L(59cm-60cm), XL(61cm-62cm), XXL(63cm-64cm), XXXL(65cm-66cm)
4. Name of the manufacturer : Jiangmen Pengcheng Helmets Ltd.
5. Address of the manufacturer : NO.01-7 Dongsheng Road, Gonghe Town, Heshan City, Jiangmen City, Guangdong Province, 529728, P.R.China
6. Name of the manufacturer's representative : N/A
7. Address of the manufacturer's representative : N/A
8. Brief description of the helmet : The helmet is composed of ABS shell (Acrylonitrile-Butadiene-Styrene).
and / or⁴ The protective padding is made of one EPS (Expanded Poly Styrene).
Brief description of visor The adoption to the different head sizes is done by different shells, different thickness of the size liner, and different thickness of the comfort padding.
The helmet is fitted with 1 visor with separate approval and with 1 sun shield.
The visor type: FF-MHR-108 (approved number: E1 06300986), made of Polycarbonate (PC), and a thickness of 1.8 mm.
The sun shield type: SF-MHR-23 is tinted, made of Polycarbonate (PC), and a thickness of 1.6 mm.

	Type	FF908
	Page	2 of 27

Jiangmen Pengcheng Helmets Ltd.

Information folder No. MHR-FF908-00

Application date: February 01, 2023

ADDITIONAL INFORMATION

~~Helmet without lower face cover (J) / with protective lower face cover (P) / with non-protective lower face cover (NP) / with detachable or movable lower face cover (P/J)~~¹ P/J

Type of visor or visors : FF-MHR-108

~~Types of helmet to which the visor may be fitted~~ :

Name and address of assembly plant : Jiangmen Pengcheng Helmets Ltd.
NO.01-7 Dongsheng Road, Gonghe Town, Heshan, Jiangmen City, Guangdong, 529728 P.R. China

Applicable regulation : UN-Reg. No. 22, 06 series of amendments

NOTE:

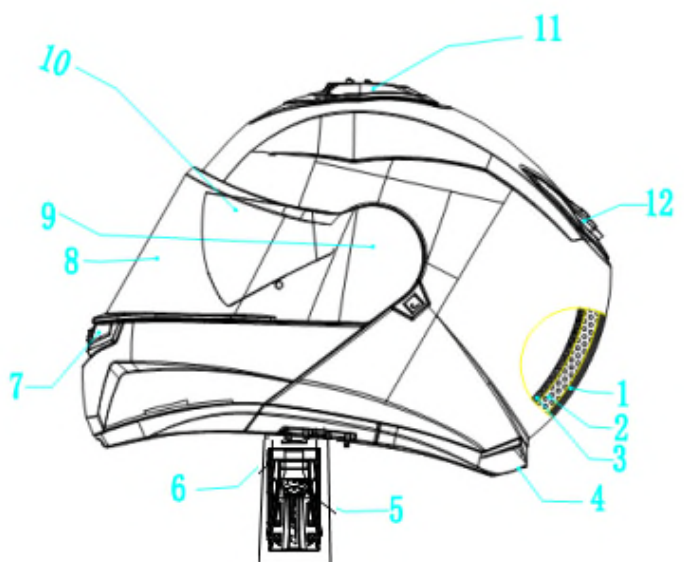
¹ strike through where not applicable

	Type	FF908
	Page	3 of 27

Jiangmen Pengcheng Helmets Ltd.

Information folder No. MHR-FF908-00

Application date: February 01, 2023



12	后风窗 back vent	个 piece	1	abs
11	前风窗 top vent	个 piece	1	abs
10	内镜片 Visor	个 piece	1	pc
9	底座 Ratchet system	套 set	2	pom
8	镜片 visor	个 piece	1	pc
7	下巴风窗 mouth vent	套 set	1	abs
6	帽带 chin strap	条 unit	2	nylon
5	快拆扣/双D型金属环扣 lock/Double "D" ring	套 set	1	ss/ stainless steel
4	条 unit	1	pvc	
3	内衬 comfort padding	套 set	7	nylon
2	泡沫 protective padding	个 piece	5	eps
1	壳体 Outer shell	个 piece	3	abs
序号 number	名称 name	单位 unit	数量 piece	材料 material

MODEL	FF908						
SIZE	XXXL	XXL	XL	L	M	S	XS
CM	66-65	64-63	62-61	60-59	58-57	56-55	54-53

技术要求 Technical Requirements
 1.The surface of the outshell should be smooth and bright no mottle, pinhold,bulb,drop lack of oil ,disdosuie of basic color.
 2. Every spare parts should be fixed correctly , and not be loose,missed.

DRW.	FF908-01	Assembly Drawing
------	----------	------------------

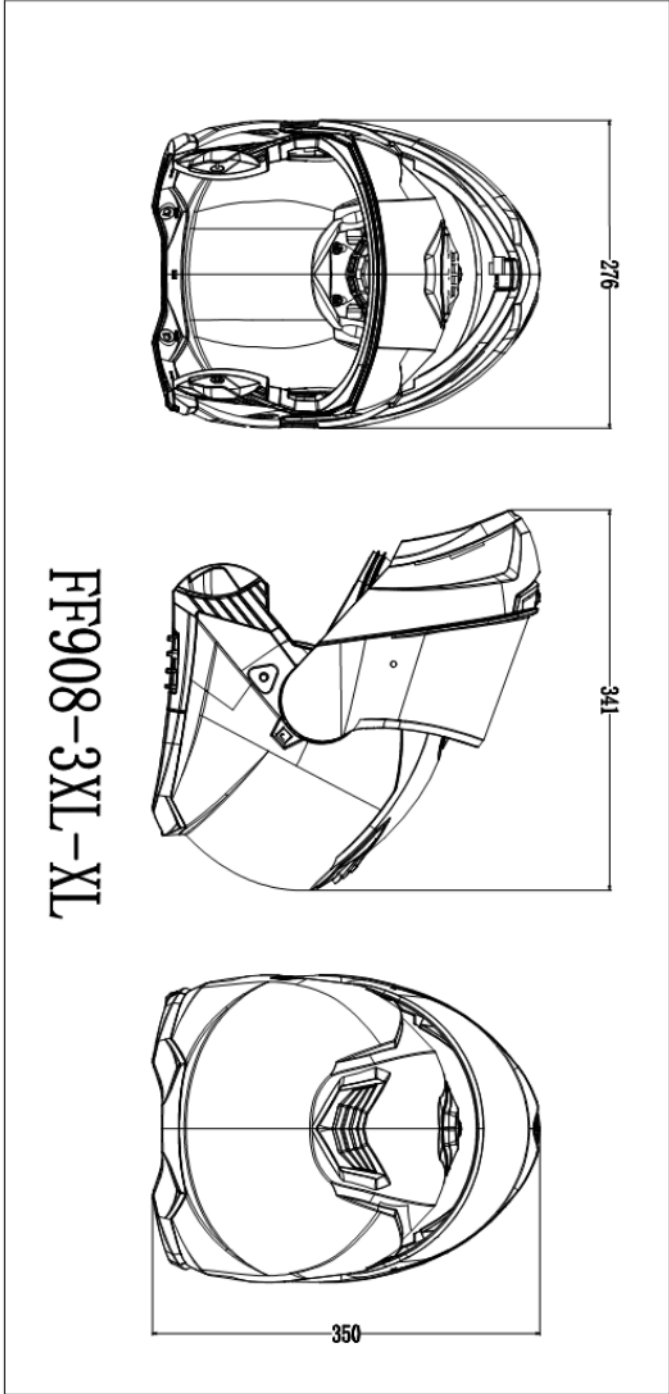
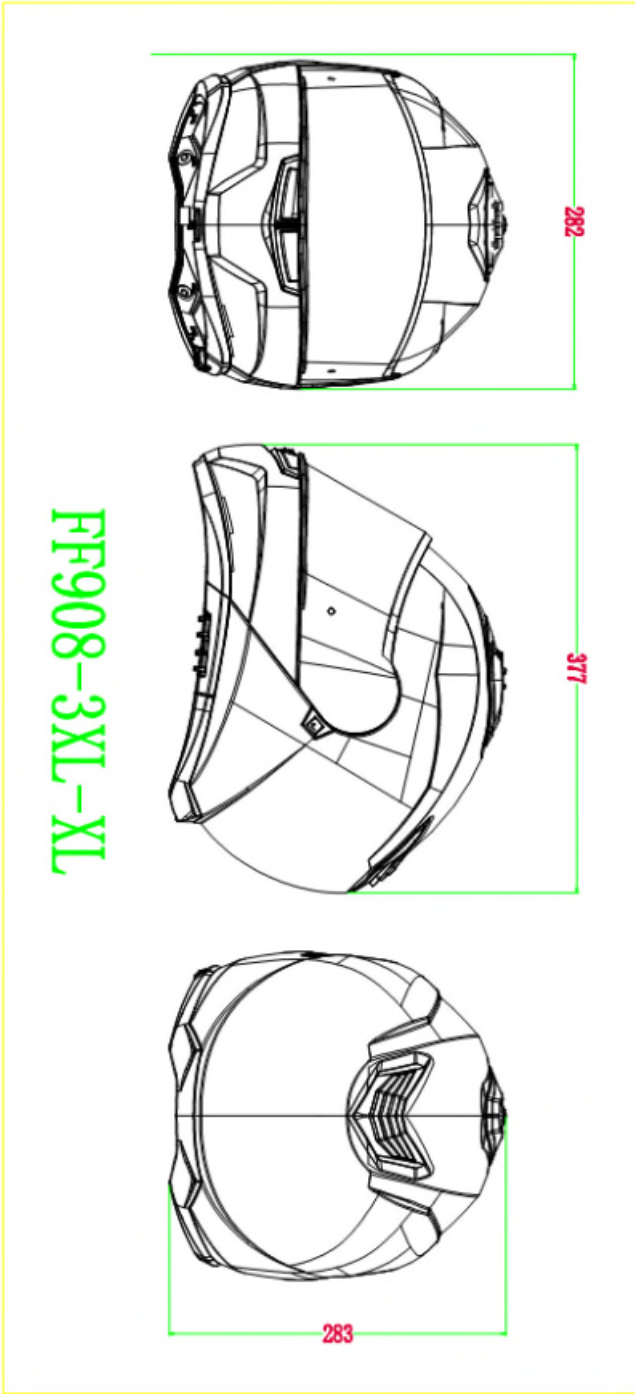
	Type	FF908
	Page	4 of 27

R22 E1*22R06/02*300985*00

Jiangmen Pengcheng Helmets Ltd.

Information folder No. MHR-FF908-00

Application date: February 01, 2023



Unit:mm

DRW.	FF908-02	Helmet section view (for SIZE XL-XXXL)
------	----------	---

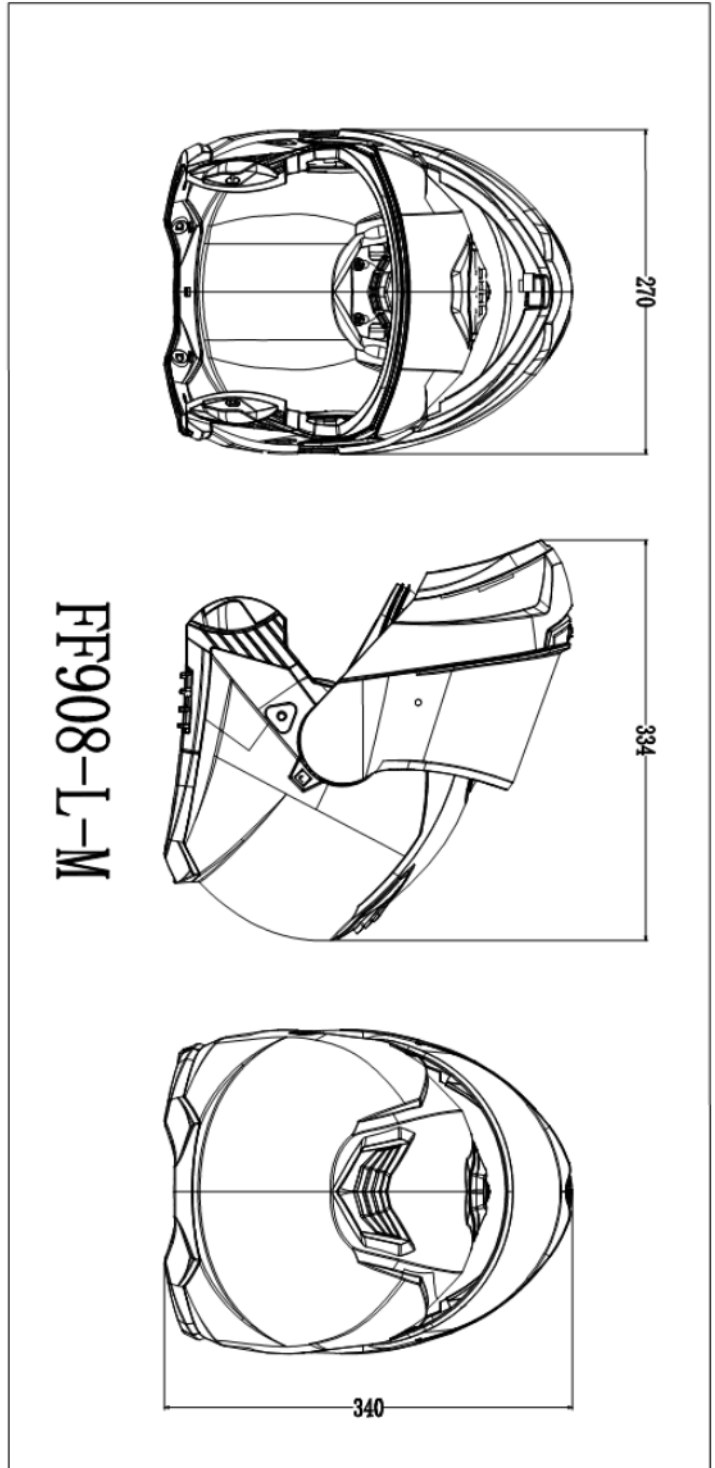
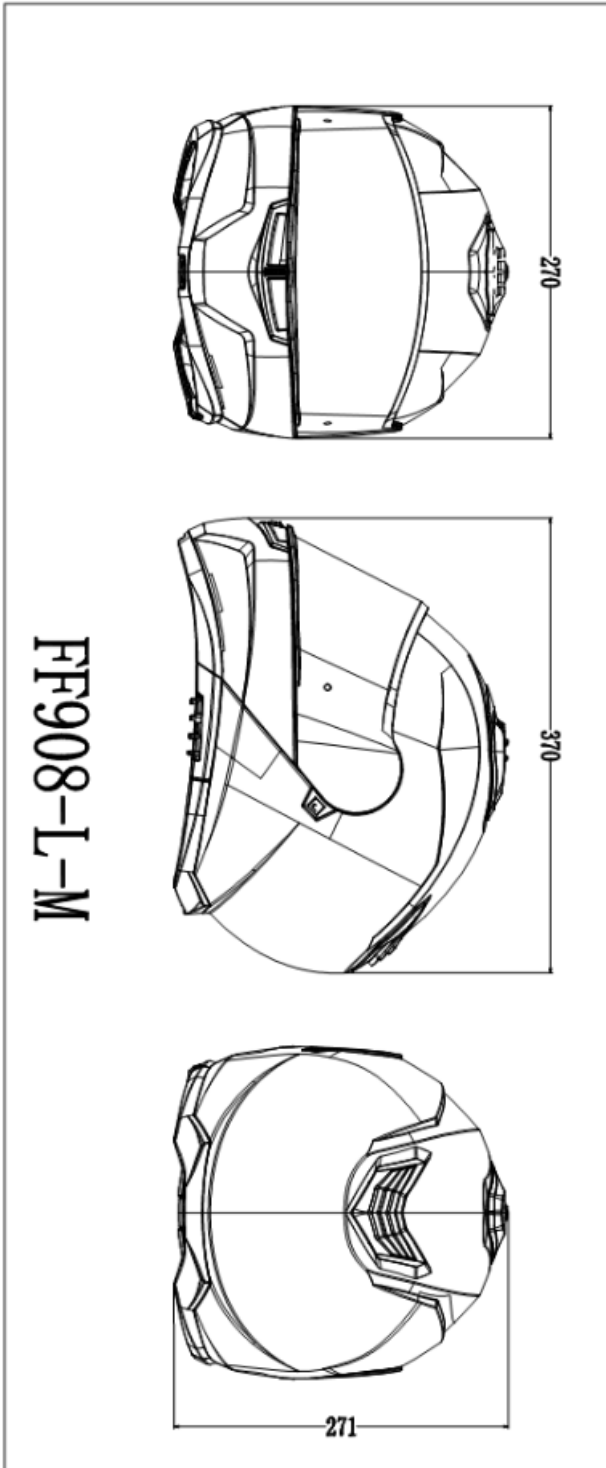
	Type	FF908
	Page	6 of 27

R22 E1*22R06/02*300985*00

Jiangmen Pengcheng Helmets Ltd.

Information folder No. MHR-FF908-00

Application date: February 01, 2023



Unit:mm

DRW.

FF908-03

Helmet section view
(for SIZE L-M)

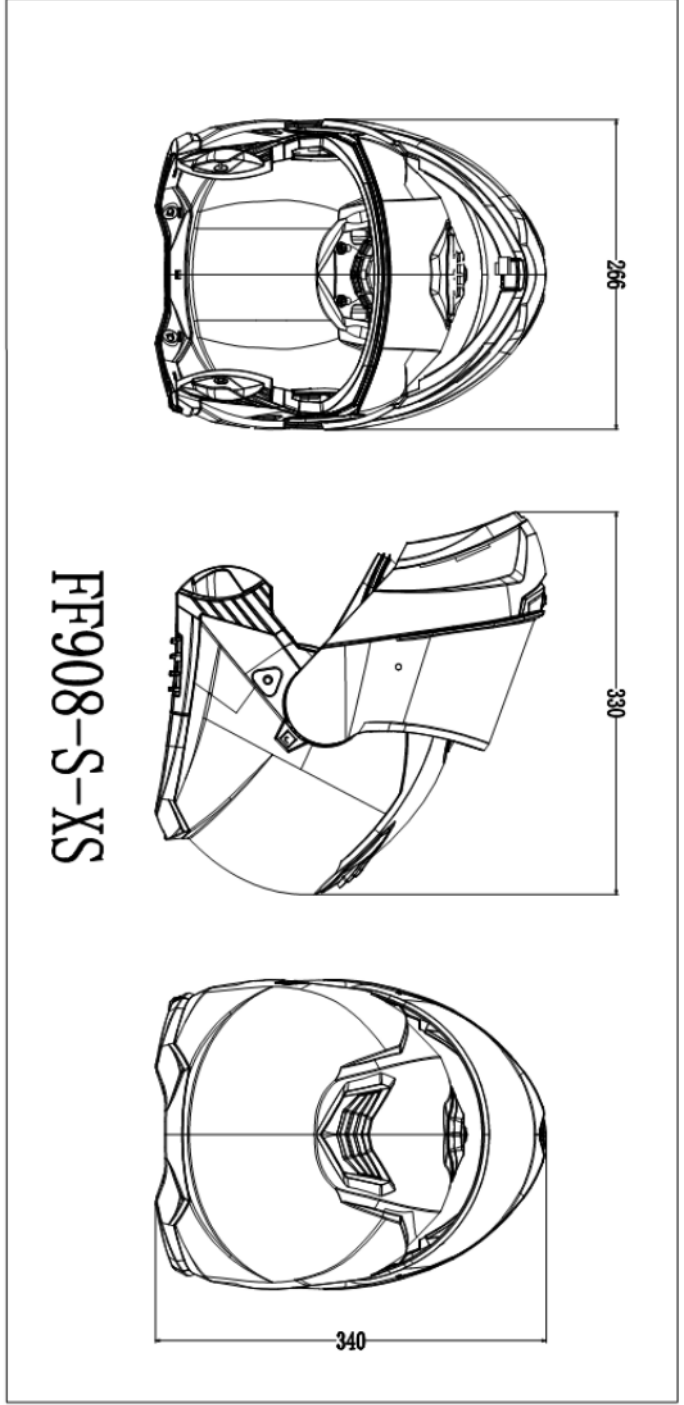
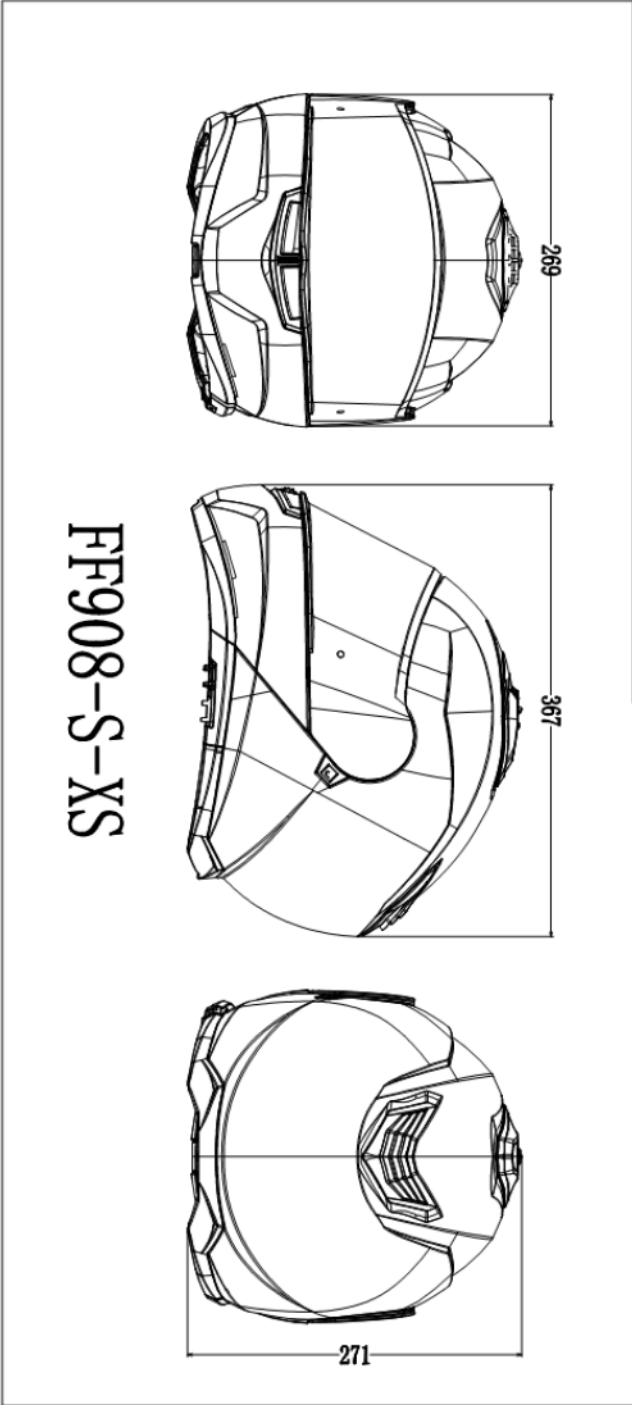
	Type	FF908
	Page	7 of 27

R22 E1*22R06/02*300985*00

Jiangmen Pengcheng Helmets Ltd.

Information folder No. MHR-FF908-00

Application date: February 01, 2023



Unit:mm

DRW.	FF908-04	Helmet section view (for SIZE XS-S)
------	----------	--

	Type	FF908
	Page	8 of 27

R22 E1*22R06/02*300985*00

Jiangmen Pengcheng Helmets Ltd.

Information folder No. MHR-FF908-00

Application date: February 01, 2023

Dimension and weight

1. Dimension of the shell:

SIZE	Length (mm)	Width (mm)	Height (mm)
XXXL-XL	282	377	283
L-M	270	370	271
S-XS	269	367	271

2. Total weight of the helmet:

Size	Weight (g)	Tolerance (g)
XS	1600	±50
S	1650	±50
M	1650	±50
L	1650	±50
XL	1700	±50
XXL	1700	±50
XXXL	1700	±50

3. Specific gravity of the impact absorption liner

Size	Specific gravity of Main EPS (kg/m ³)	Specific gravity of TOP EPS (kg/m ³)	Specific gravity of Chin EPS (kg/m ³)	Specific gravity of Middle EPS (kg/m ³)
XS	35	24	40	80
S	35	24	40	80
M	45	24	50	80
L	55	24	55	80
XL	60	24	60	80
XXL	60	24	60	80
XXXL	60	24	60	80

	Type	FF908
	Page	9 of 27

Jiangmen Pengcheng Helmets Ltd.

Information folder No. MHR-FF908-00

Application date: February 01, 2023

Impact absorption material thickness in millimeter, SHELL

Size	Section B-Point	Section P-Point	Section R-Point	Section X-Point	Lower Face cover
XS	3.5	3.5	3.5	2.7	2.0
S	3.5	3.5	3.5	2.7	2.0
M	3.5	3.5	3.5	2.7	2.0
L	3.5	3.5	3.5	2.7	2.0
XL	3.5	3.5	3.5	2.7	2.0
XXL	3.5	3.5	3.5	2.7	2.0
XXXL	3.5	3.5	3.5	2.7	2.0

Impact absorption material thickness in millimeter, LINER

Size	Section B-Point	Section P-Point	Section R-Point	Section X-Point	Section S-Point
XS	41	40	44	37	20
S	41.7	39	40	39	20
M	38	40	40	37	20
L	35	40	40	34	20
XL	37	40	37	33	20
XXL	37	40	37	33	20
XXXL	37	40	37	33	20

Impact absorption material thickness in millimeter, LINING

Size	Section B-Point	Section P-Point	Section R-Point	Section X-Point	Side Part Lining
XS	14	12	14	14	20
S	12	12	12	12	20
M	12	12	12	10	20
L	12	12	12	12	15
XL	10	12	12	12	10
XXL	10	10	10	10	10
XXXL	8	8	8	8	10

Type FF908

Page 10 of 27

Jiangmen Pengcheng Helmets Ltd.

Information folder No. MHR-FF908-00

Application date: February 01, 2023

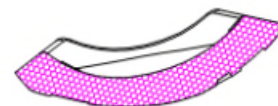
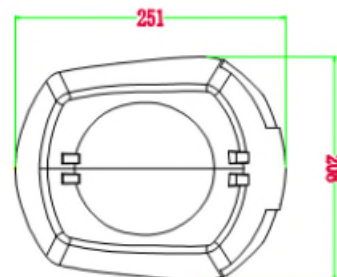
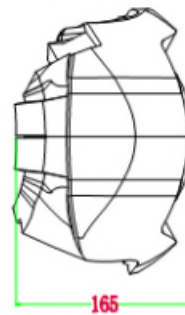
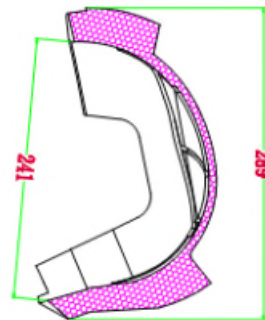
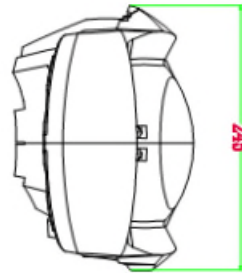
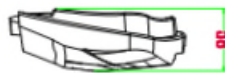
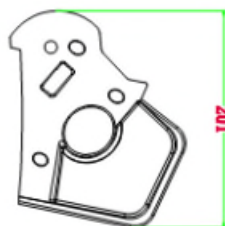
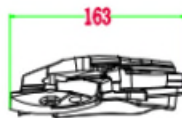
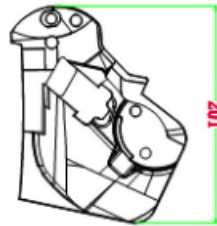
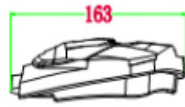
FF908-EPS (3XL-XL)

FF908-EPS-LEFT (3XL-XL)

FF908-EPS (3XL-XL)

FF908-EPS-RIGHT (3XL-XL)

FF908-EPS-TOP (3XL-XL)



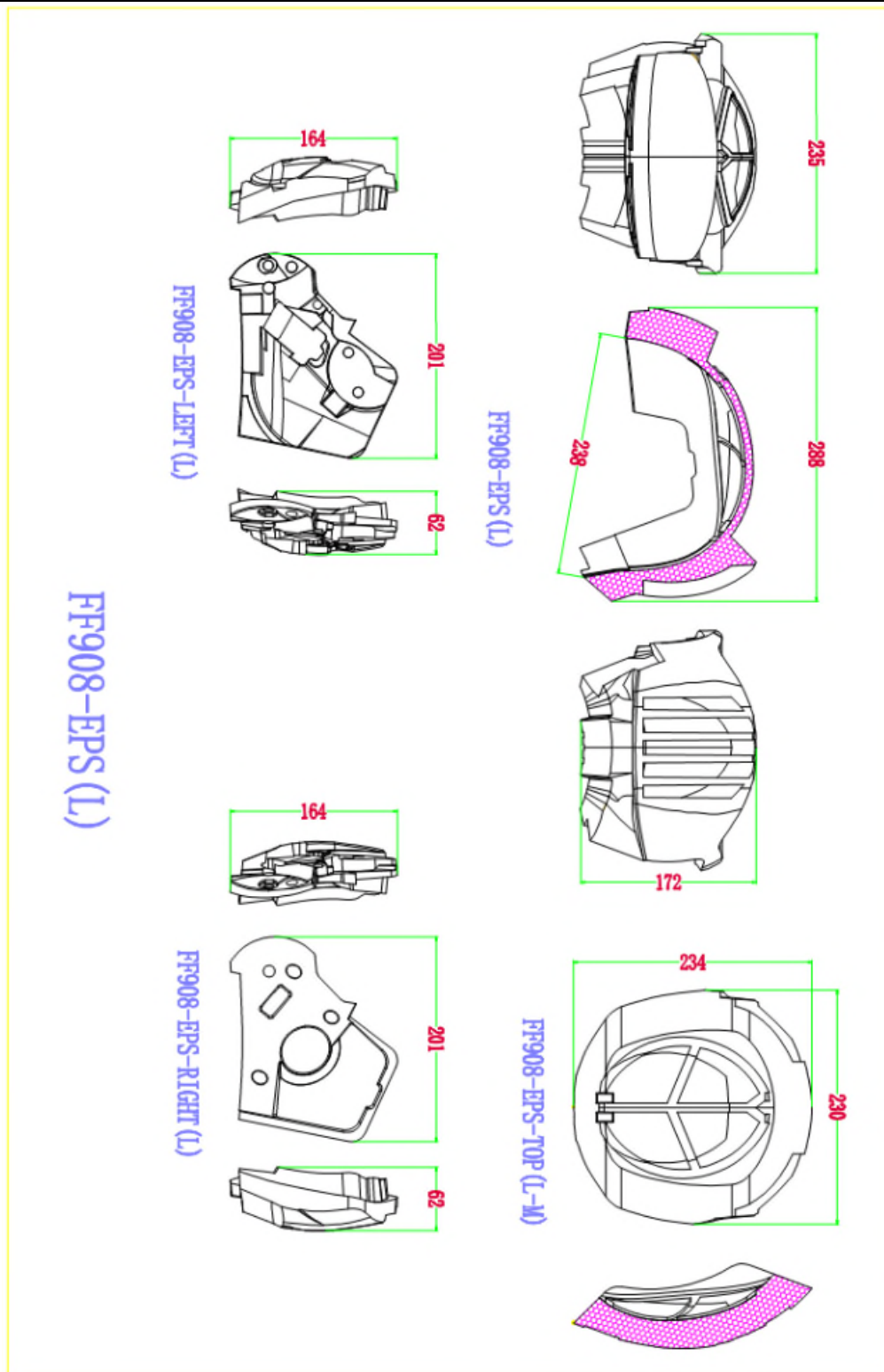
Unit:mm

DRW.	FF908-05	EPS details (for SIZE XL-XXXL)	
		Type	FF908
		Page	11 of 27

Jiangmen Pengcheng Helmets Ltd.

Information folder No. MHR-FF908-00

Application date: February 01, 2023



FF908-EPS (L)

FF908-EPS-LEFT (L)

FF908-EPS (L)

FF908-EPS-RIGHT (L)

FF908-EPS-TOP (L-M)

Unit:mm

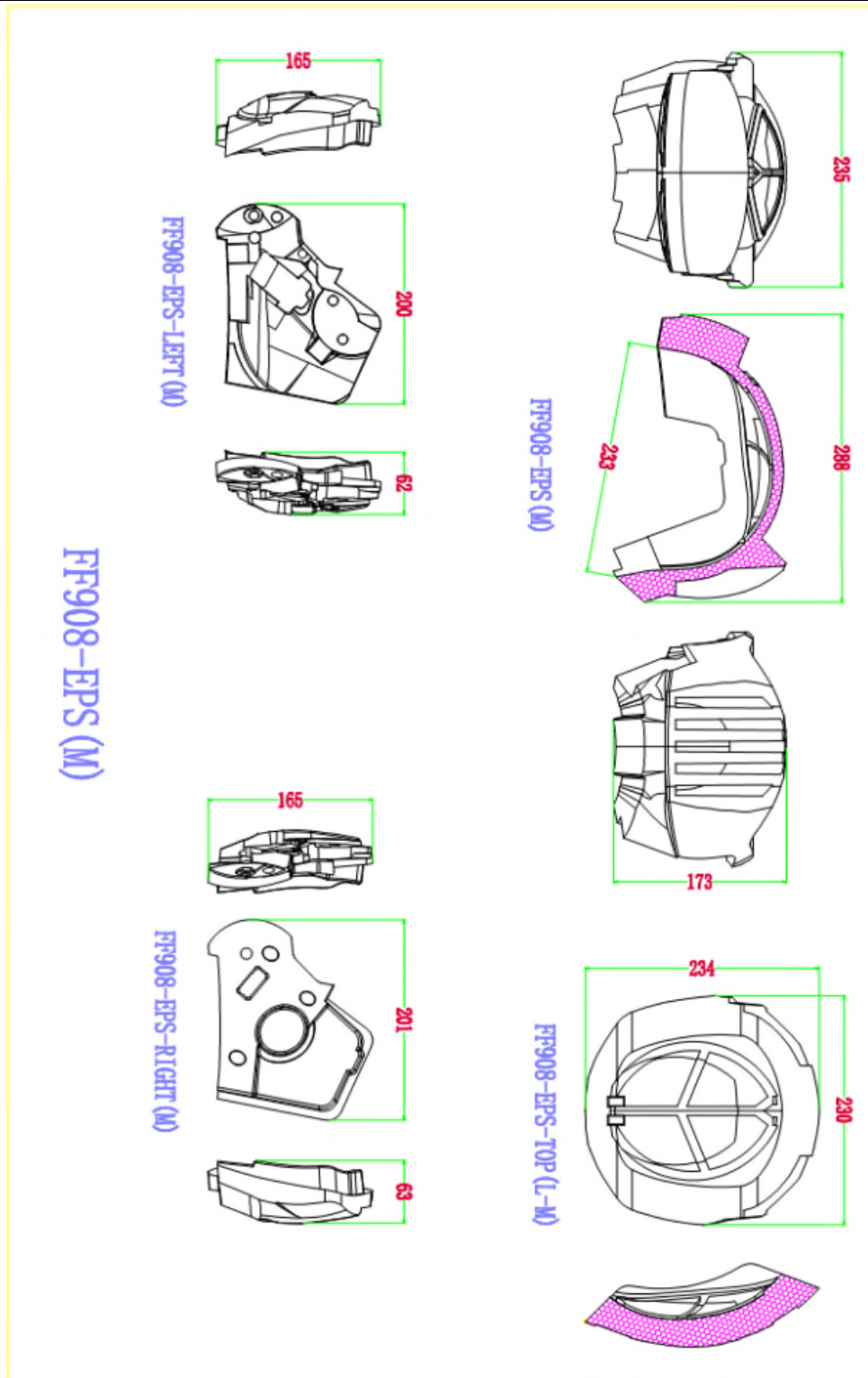
DRW.	FF908-06	EPS details (for SIZE L)
------	----------	-----------------------------

	Type	FF908
	Page	12 of 27

Jiangmen Pengcheng Helmets Ltd.

Information folder No. MHR-FF908-00

Application date: February 01, 2023



Unit:mm

DRW.	FF908-07	EPS details (for SIZE M)
------	----------	-----------------------------

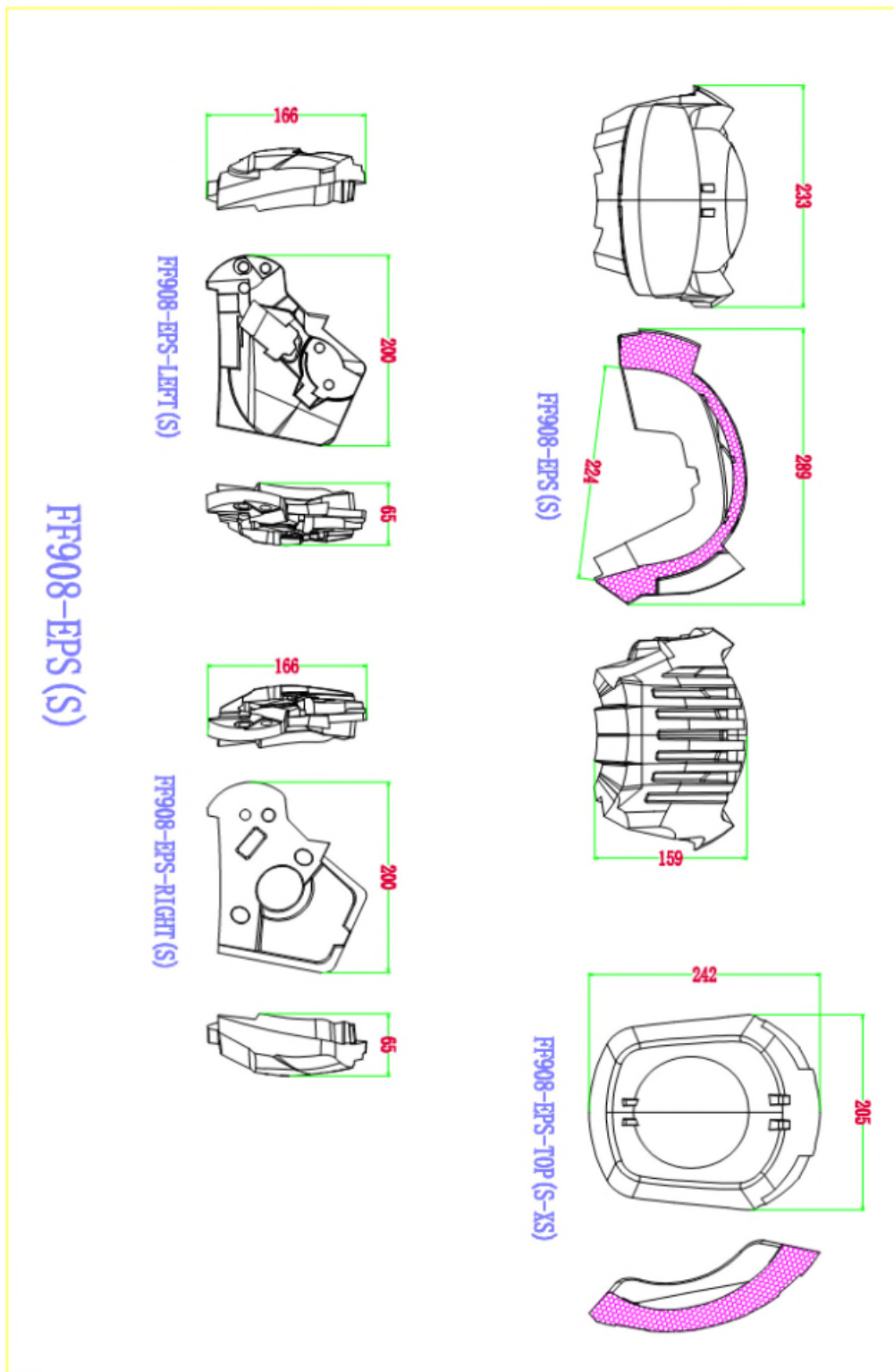
	Type	FF908
	Page	13 of 27

R22 E1*22R06/02*300985*00

Jiangmen Pengcheng Helmets Ltd.

Information folder No. MHR-FF908-00

Application date: February 01, 2023



Unit:mm

DRW.	FF908-08	EPS details (for SIZE S)
------	----------	-----------------------------

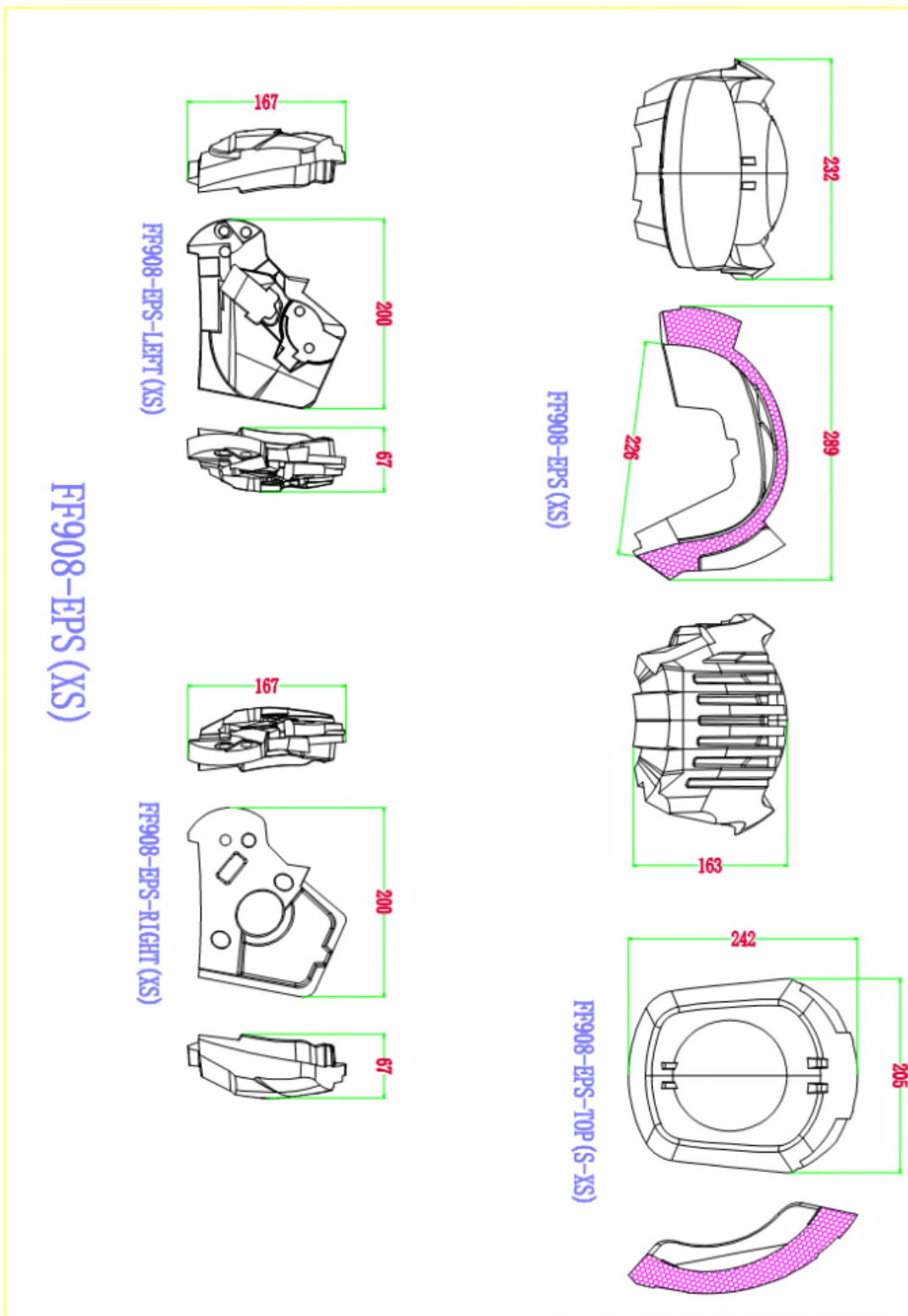
	Type	FF908
	Page	14 of 27

R22 E1*22R06/02*300985*00

Jiangmen Pengcheng Helmets Ltd.

Information folder No. MHR-FF908-00

Application date: February 01, 2023



Unit:mm

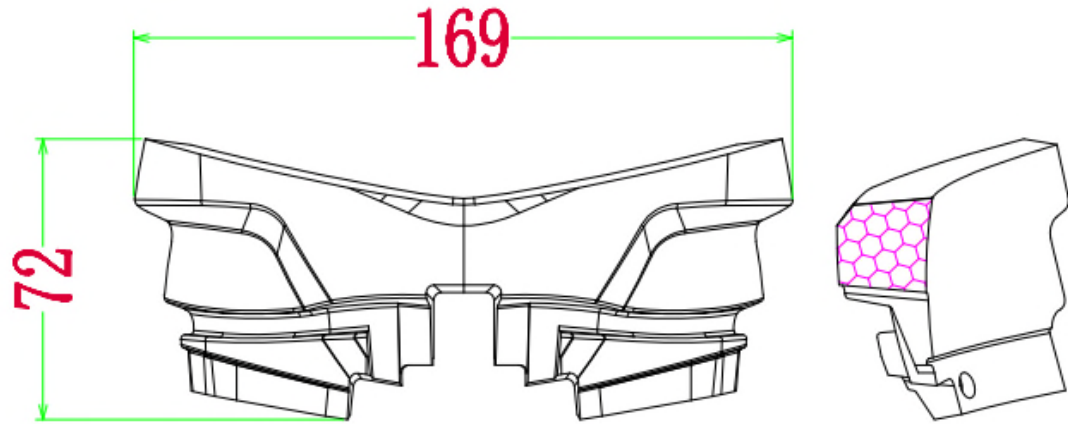
DRW.	FF908-09	EPS details (for SIZE XS)
------	----------	------------------------------

	Type	FF908
	Page	15 of 27

Jiangmen Pengcheng Helmets Ltd.

Information folder No. MHR-FF908-00

Application date: February 01, 2023



FF908-EPS-(3XL-XS)

Unit:mm

R22 E1*22R06/02*300985*00

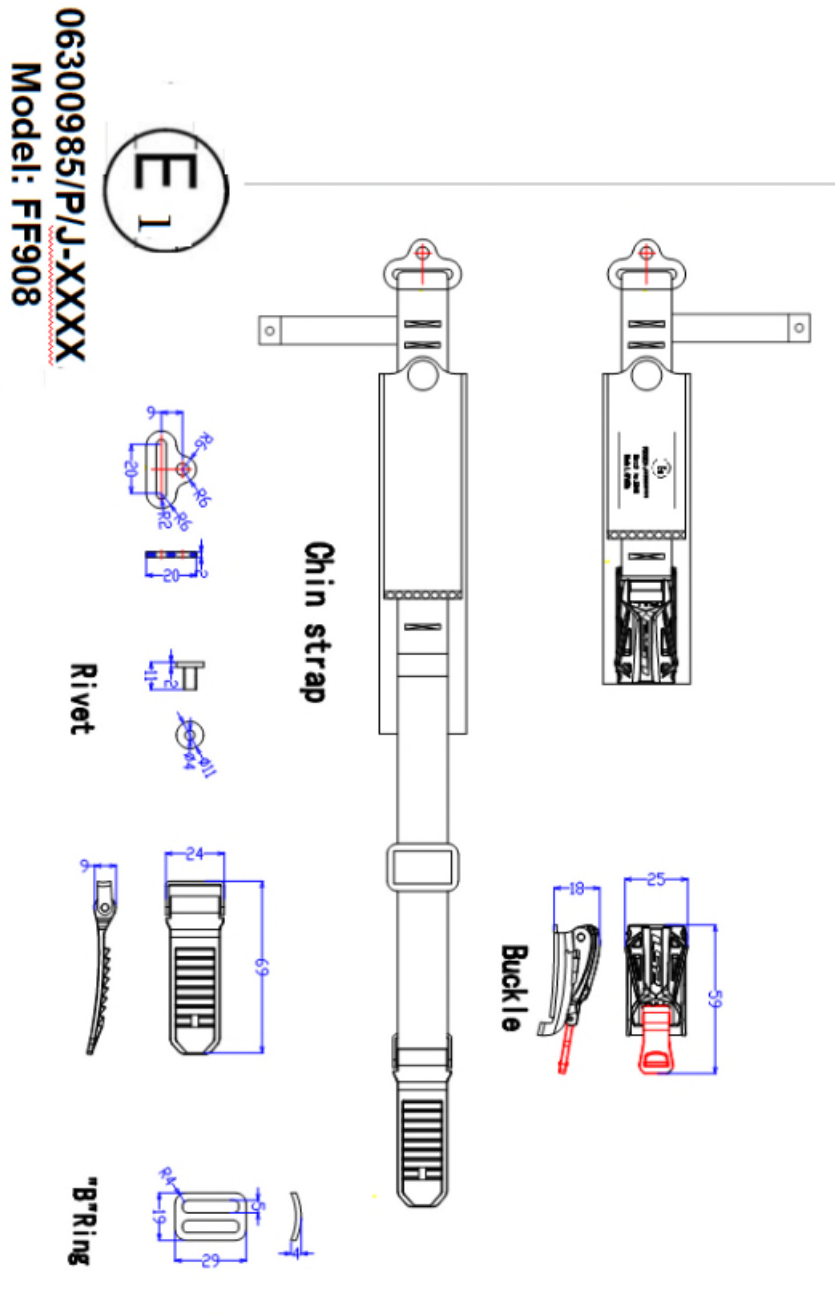
	DRW.	FF908-10	EPS details (Middle EPS for SIZE 3XL- XS)
--	------	----------	---

	Type	FF908
	Page	16 of 27

Jiangmen Pengcheng Helmets Ltd.

Information folder No. MHR-FF908-00

Application date: February 01, 2023



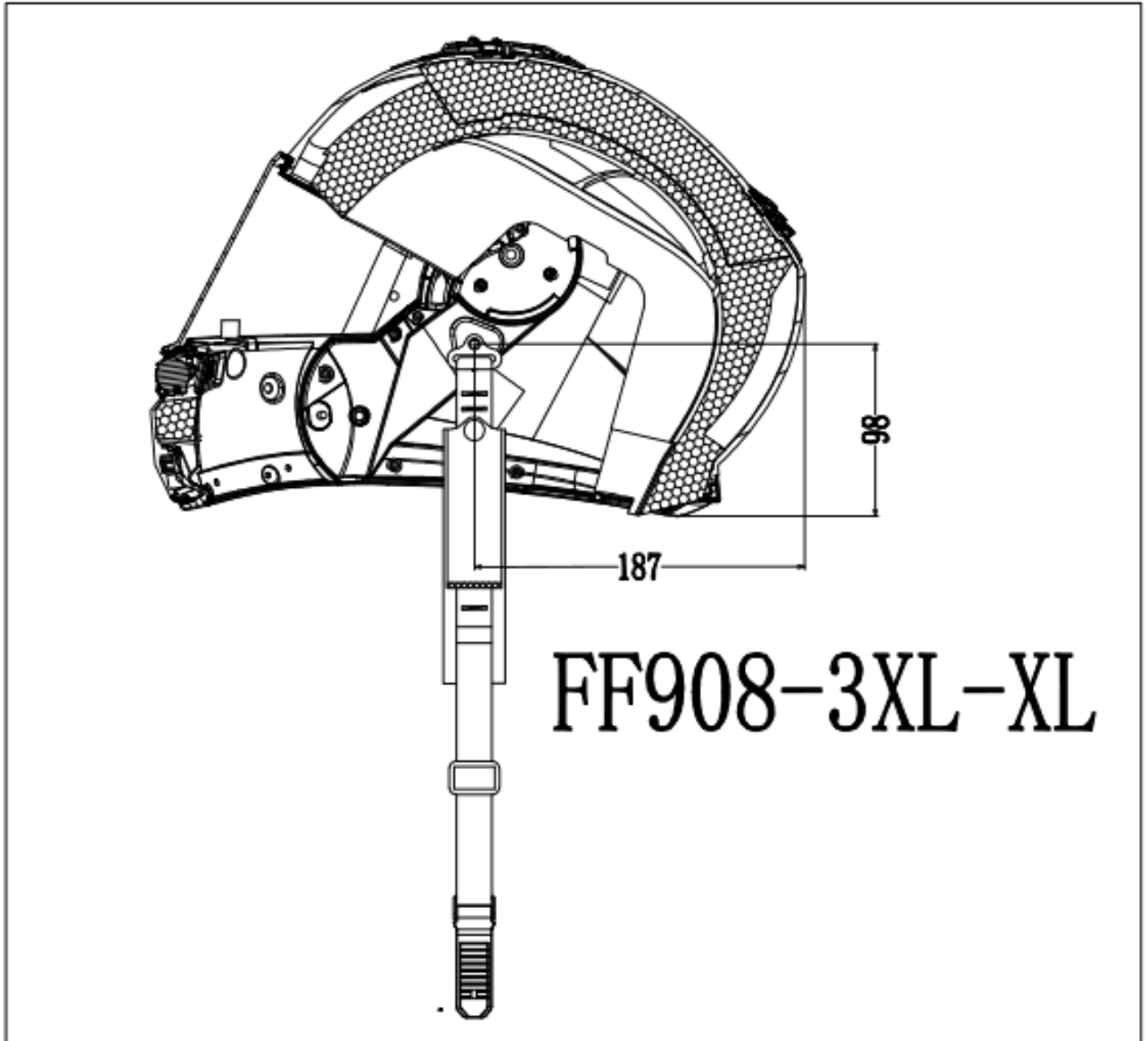
Part No.	Subject or name	Material
1	Buckle	No.18 buckle
2	Sewing Line	Nylon
3	Chin strap	Nylon
	DRW.	FF908-11
		Retention system (with No.18 buckle)

	Type	FF908
	Page	17 of 27

Jiangmen Pengcheng Helmets Ltd.

Information folder No. MHR-FF908-00

Application date: February 01, 2023



R22 E1*22R06/02*300985*00

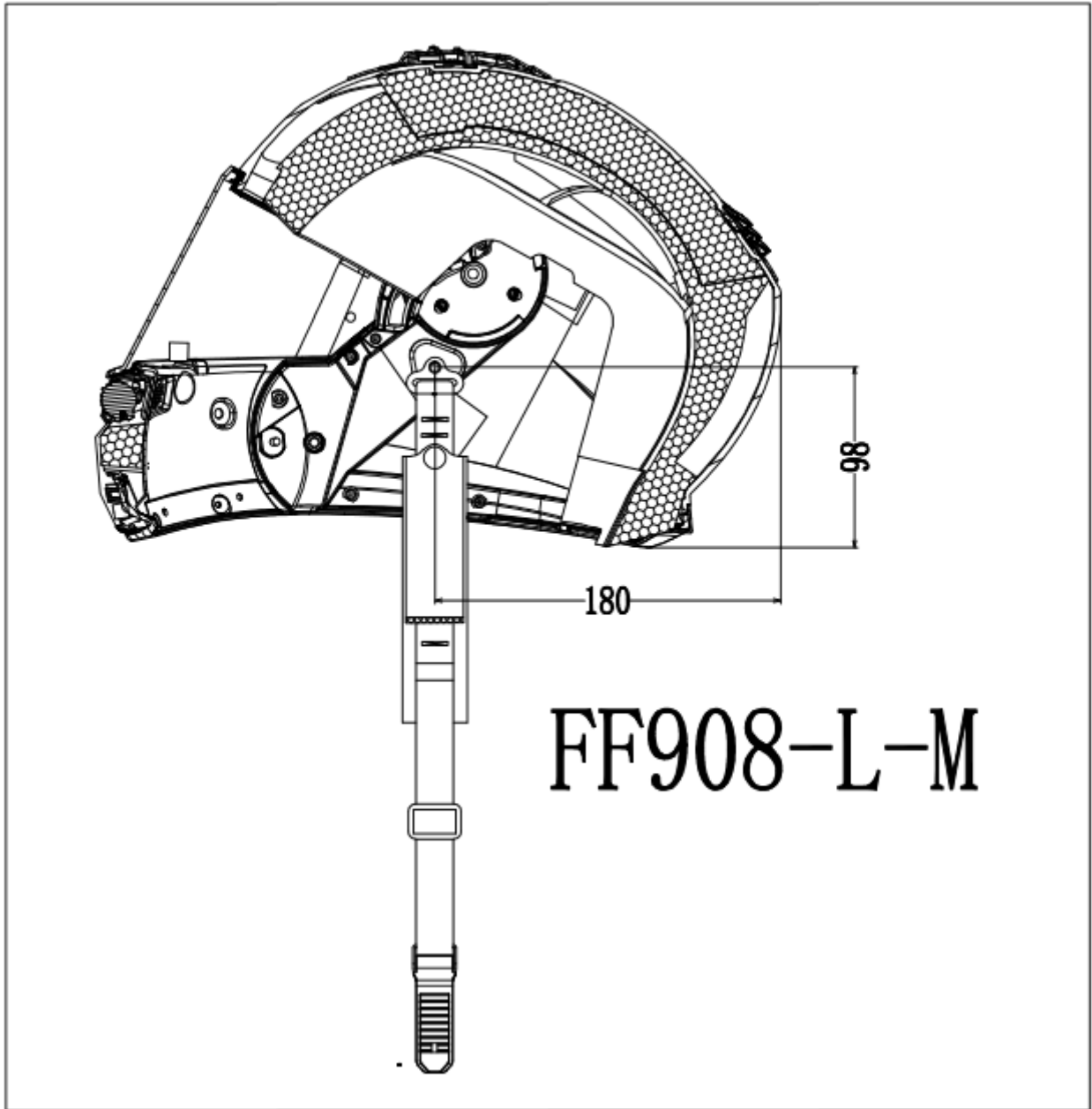
DRW.	FF908-12	Retention system position (for SIZE XL-XXXL)
------	----------	---

	Type	FF908
	Page	18 of 27

Jiangmen Pengcheng Helmets Ltd.

Information folder No. MHR-FF908-00

Application date: February 01, 2023



Unit:mm

DRW.	FF908-13	Retention system position (for SIZE L-M)
------	----------	---

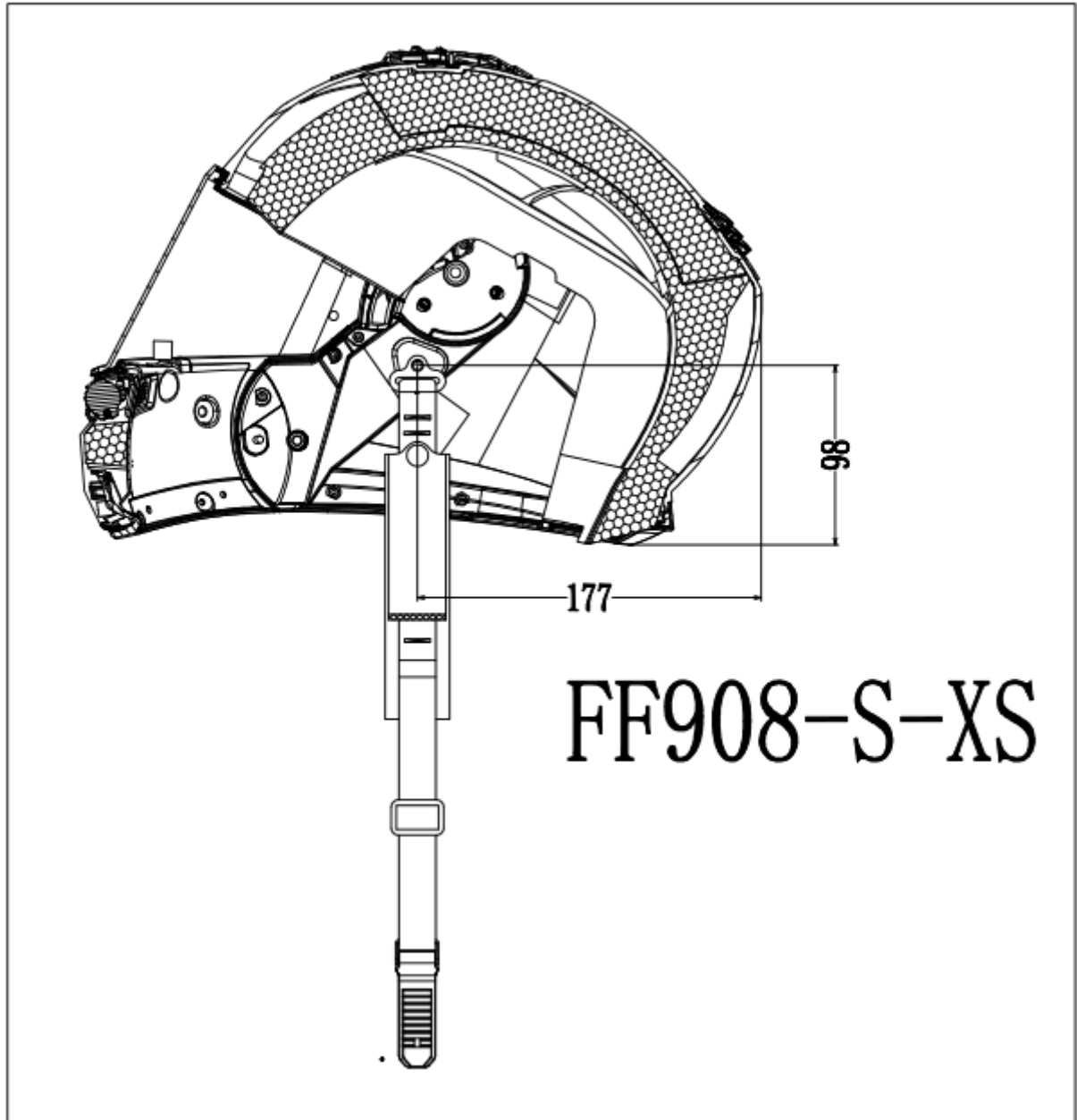
	Type	FF908
	Page	19 of 27

R22 E1*22R06/02*300985*00

Jiangmen Pengcheng Helmets Ltd.

Information folder No. MHR-FF908-00

Application date: February 01, 2023



Unit:mm

R22 E1*22R06/02*300985*00

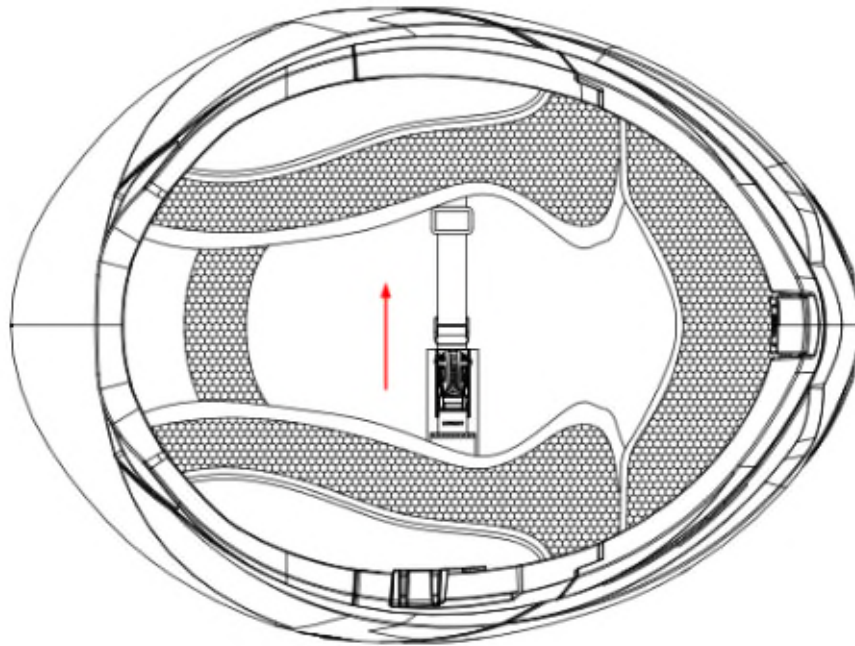
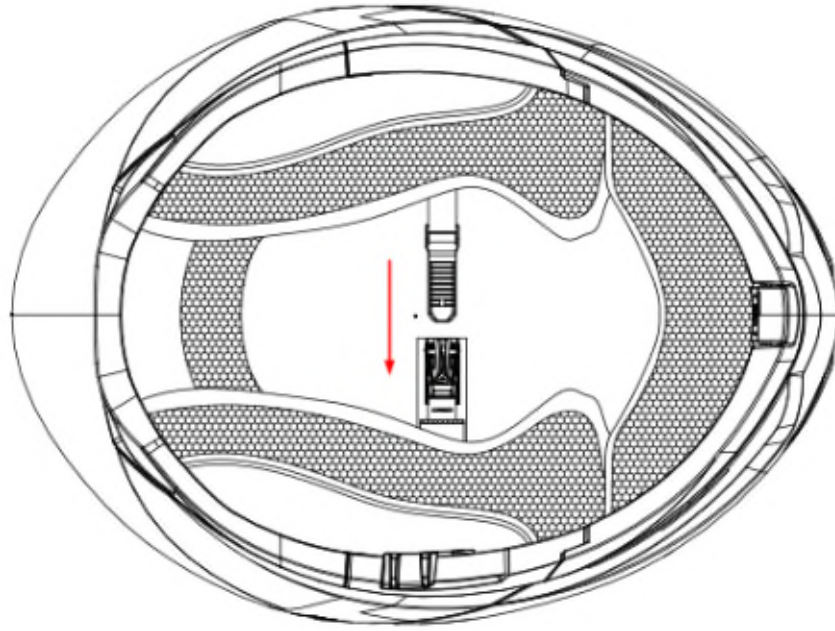
DRW.	FF908-14	Retention system position (for SIZE S-XS)
------	----------	--

	Type	FF908
	Page	20 of 27

Jiangmen Pengcheng Helmets Ltd.

Information folder No. MHR-FF908-00

Application date: February 01, 2023



R22 E1*22R06/02*300985*00

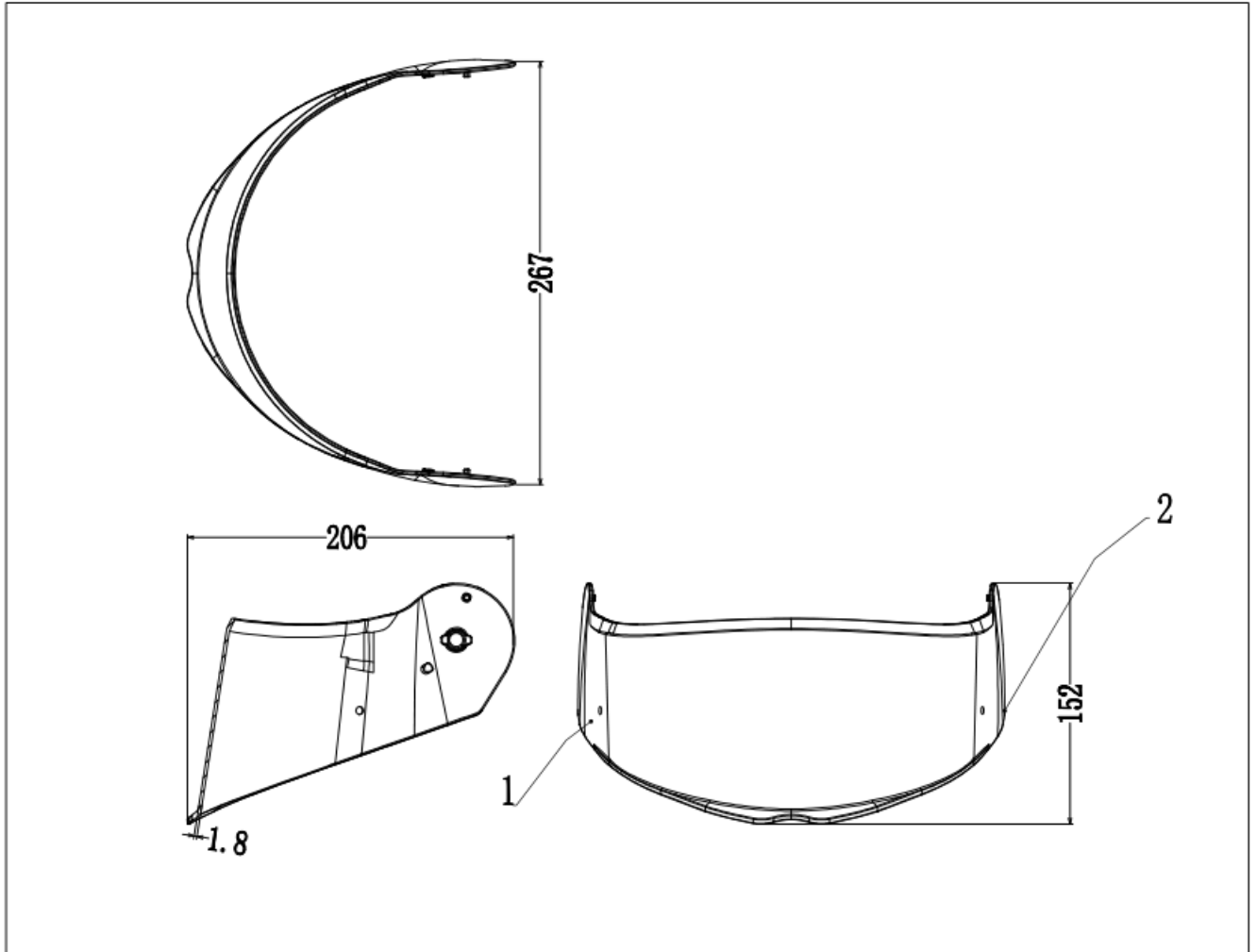
	DRW.	FF908-15	Retention system operation (with No.18 buckle)
--	-------------	-----------------	---

		Type	FF908
		Page	21 of 27

Jiangmen Pengcheng Helmets Ltd.

Information folder No. MHR-FF908-00

Application date: February 01, 2023



LS2



06300986-xxxx

FF-MHR-108

a = 8 mm min.

1

2

DRW.

FF908-16

Drawing and details for Visor

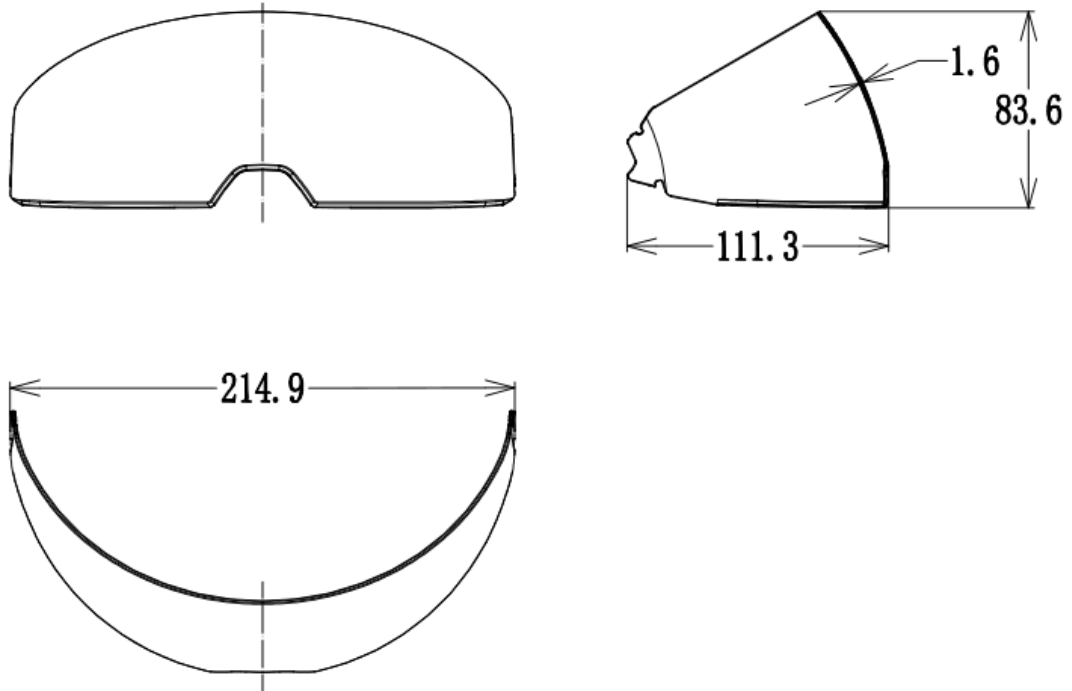
	Type	FF908
	Page	22 of 27

R22 E1*22R06/02*300985*00

Jiangmen Pengcheng Helmets Ltd.

Information folder No. MHR-FF908-00

Application date: February 01, 2023



Unit:mm

DRW.

FF908-17

Drawing and details for
Sunshield

Type FF908

Page 23 of 27

R22 E1*22R06/02*300985*00

Jiangmen Pengcheng Helmets Ltd.

Information folder No. MHR-FF908-00

Application date: February 01, 2023



06300985/P/J-XXXX

Model: FF908

a = 8 mm min.

DRW.

FF908-18

Approval marking(s)

	Type	FF908
	Page	24 of 27

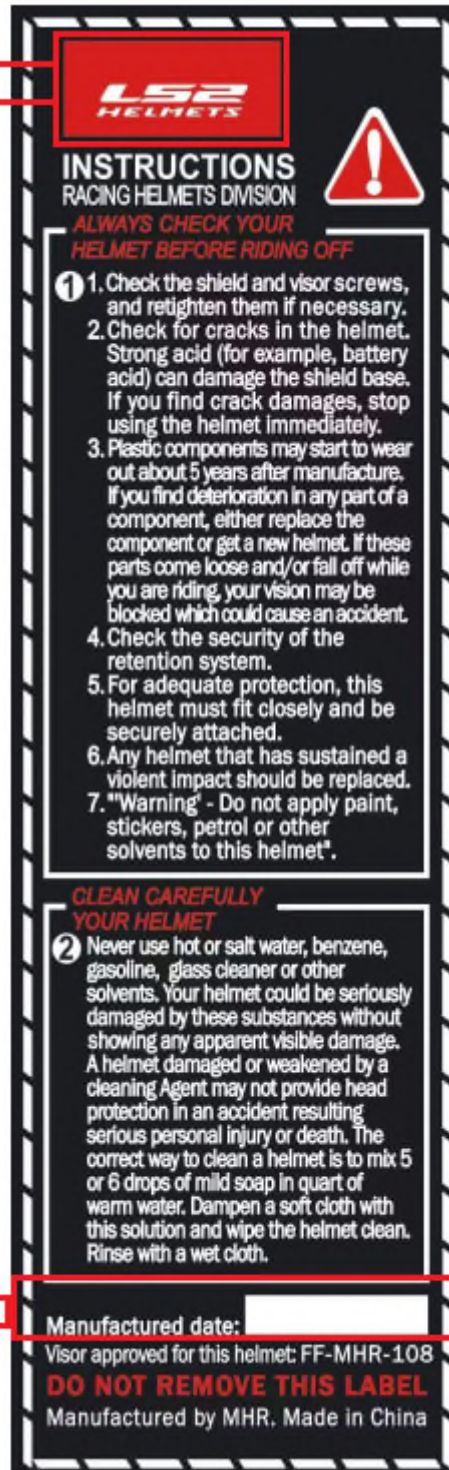
Jiangmen Pengcheng Helmets Ltd.

Information folder No. MHR-FF908-00

Application date: February 01, 2023

R22 E1*22R06/02*300985*00

Trade Mark



Manufacture date

DRW.

FF908-19

Label marking(s)

	Type	FF908
	Page	25 of 27

Jiangmen Pengcheng Helmets Ltd.

Information folder No. MHR-FF908-00

Application date: February 01, 2023



DRW.	FF908-20	Helmet assembly pictures (P configuration)
------	----------	---

	Type	FF908
	Page	26 of 27

R22 E1*22R06/02*300985*00

Jiangmen Pengcheng Helmets Ltd.

Information folder No. MHR-FF908-00

Application date: February 01, 2023



DRW.	FF908-21	Helmet assembly pictures (J configuration)
------	----------	---

	Type	FF908
	Page	27 of 27

R22 E1*22R06/02*300985*00