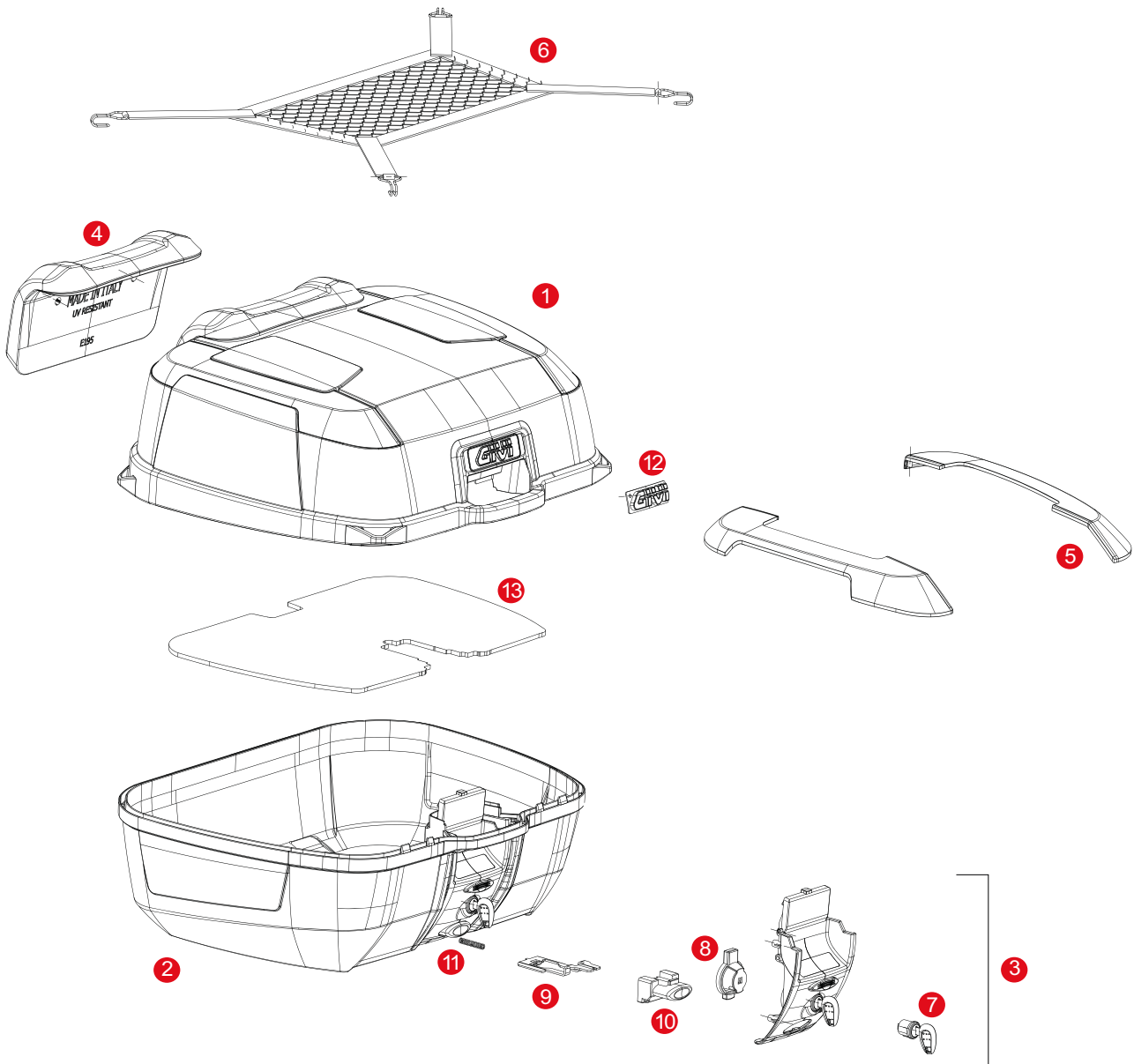


SPARE PARTS

B45+ / B45B+



1	ZB45CNM	B45+ assembled Top Shell
	ZB45CBM	B45B+ assembled Top Shell
2	ZB45FNM	B45+ assembled Bottom Shell
3	Z2751M-B45R	Lock set
4	Z195ER	Backrest
5	Z8211CPR	Pair of grey upper plates
	Z8211N902CPR	Pair of upper plates, black painted
6	ZE45R	Elastic cargo upper net

7	Z140NR	Key locks with corresponding bush with black handle
8	Z3006NR	Plate below lock
9	Z762NR	Bolt, 1 pcs.
10	Z645NR	Push button black
11	Z191R	Push button spring, 1 pcs.
12	Z229	Chromed GIVI brand
13	Z9426R	Inner mat