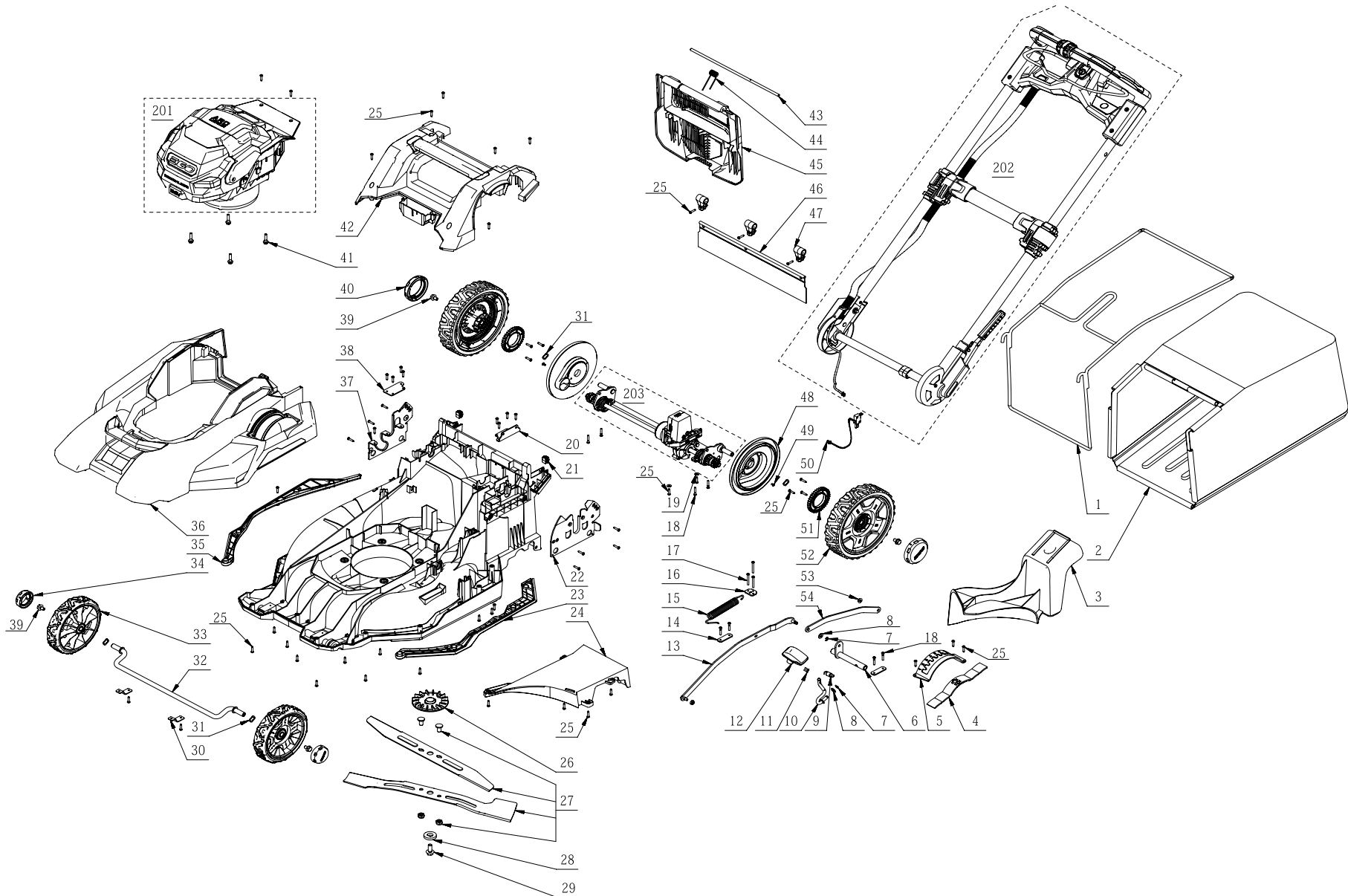
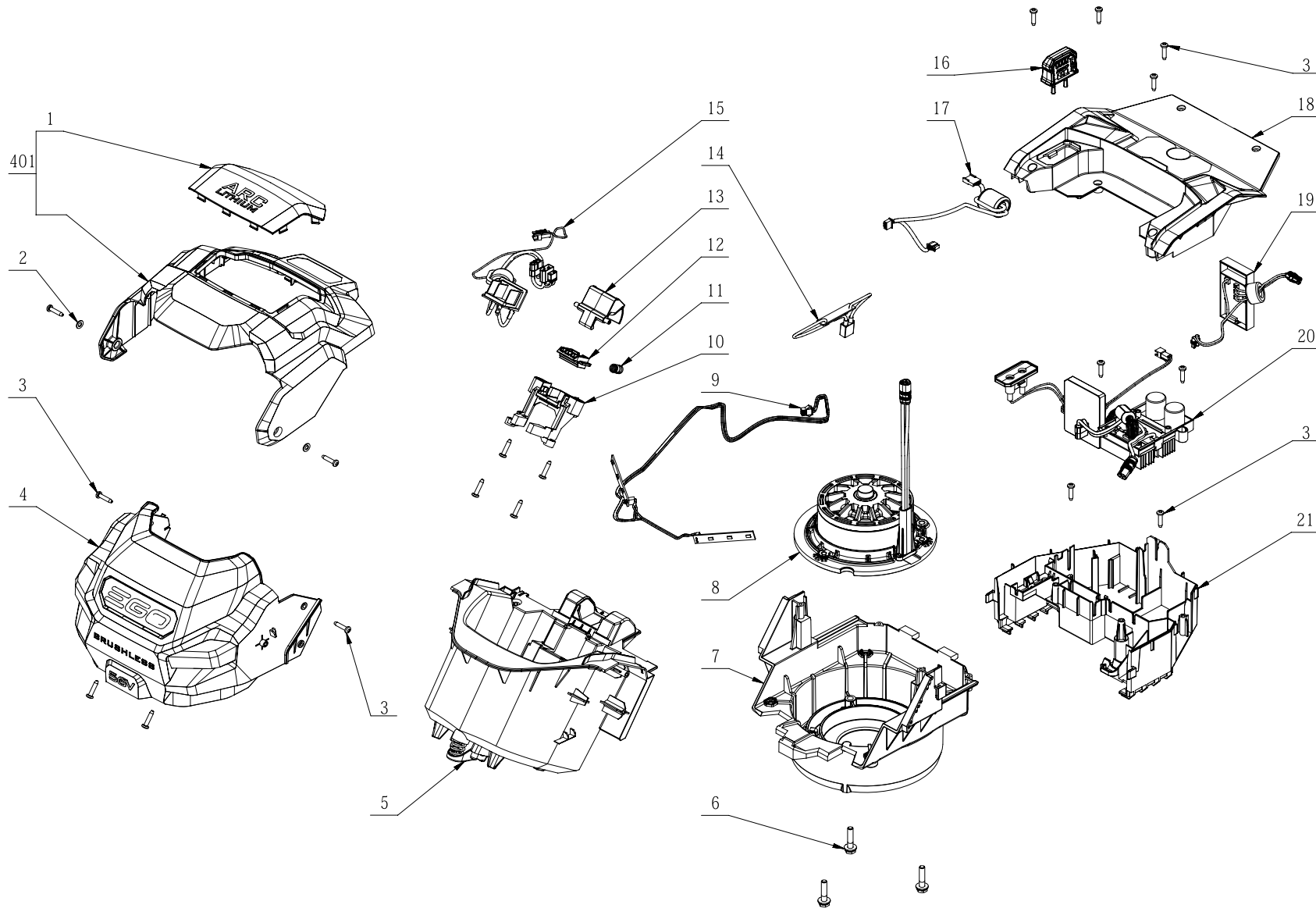




Product Description:Lawn Mower  
Model Number:LM2130E-SP  
Body Number:1000015003\_S  
Version: A  
Issue Date: 2020/07/03



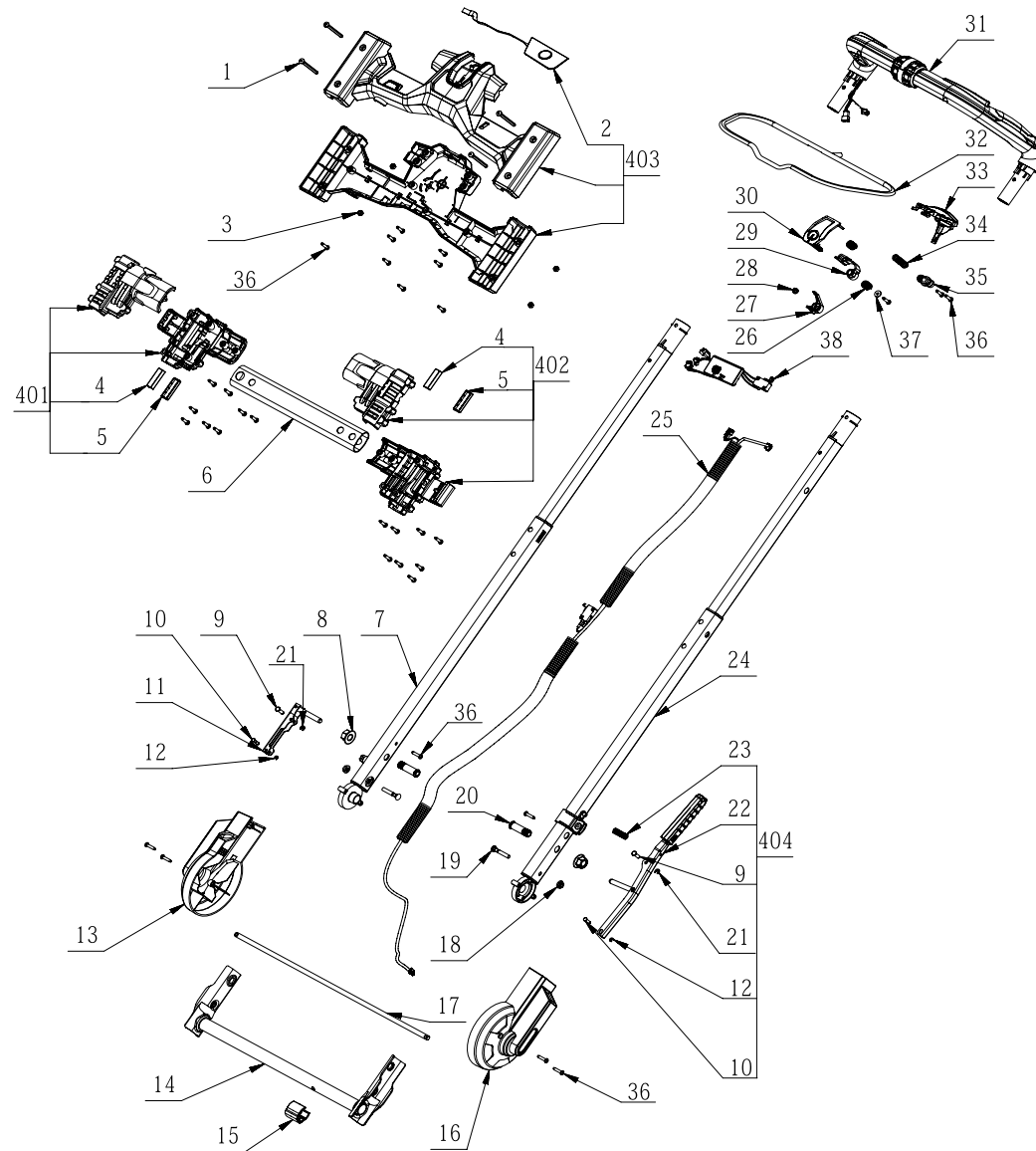
201





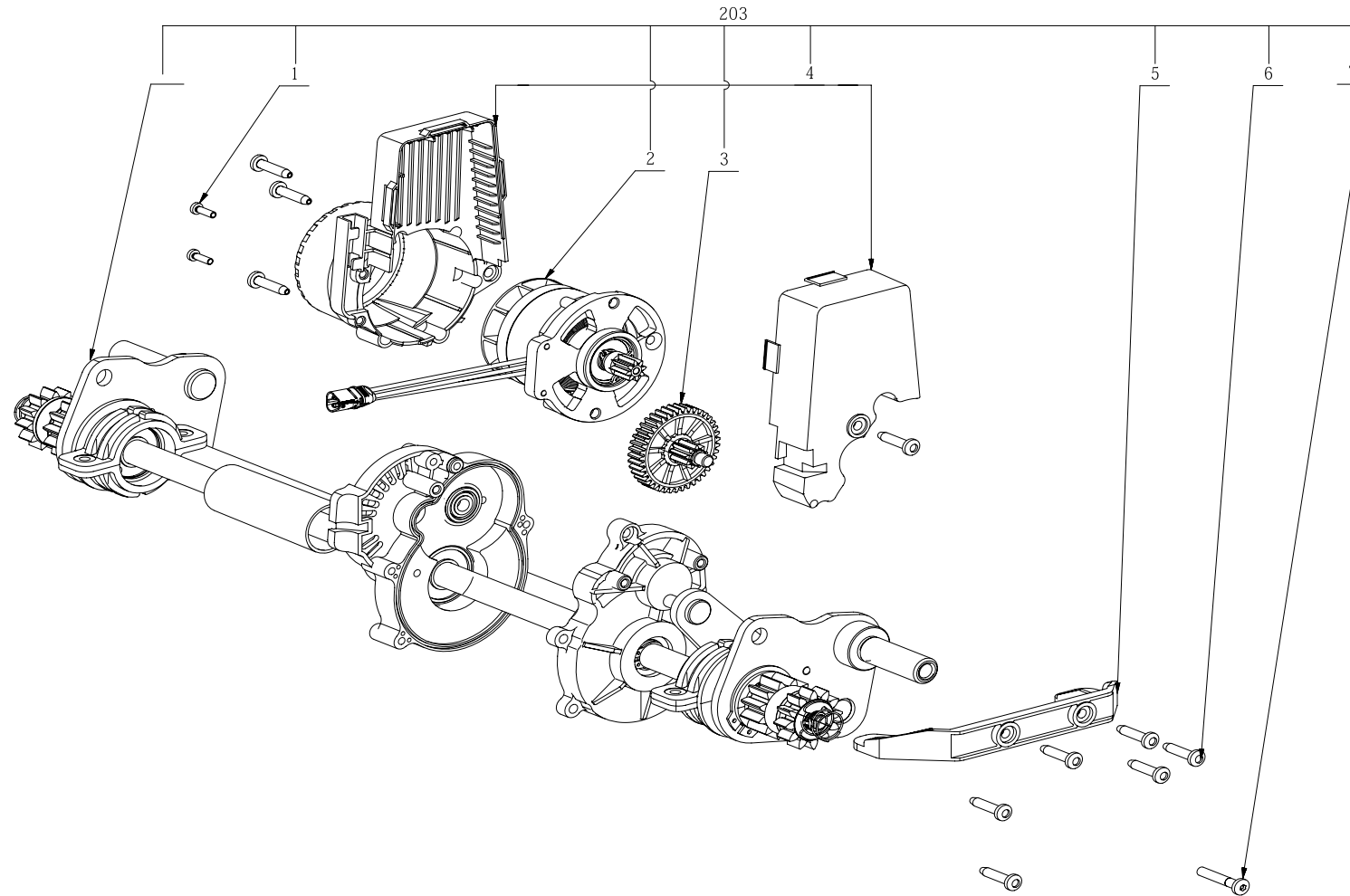
Product Description:Lawn Mower  
Model Number:LM2130E-SP  
Body Number:1000015003\_S  
Version: A  
Issue Date: 2020/07/03

202





Product Description:Lawn Mower  
Model Number:LM2130E-SP  
Body Number:1000015003\_S  
Version: A  
Issue Date: 2020/07/03





Repair Parts\_Lawn Mower\_4907.1(LM2130E-SP)

| Index No. | Art. No.   | Description                      | QTY in machine | Weight (g) | Size LxWxH (mm)   | MPQ | Repairable or Not? | Standard Repair Time |
|-----------|------------|----------------------------------|----------------|------------|-------------------|-----|--------------------|----------------------|
| 1         | 3705442002 | Bag Frame                        | 1              | 1150       | 600x370x360       | 1   | Y                  | 1                    |
| 2         | 3800074001 | Grass Catcher                    | 1              | 858        | 590x422.5x353     | 1   | Y                  | 1                    |
| 3         | 3129653001 | Mulch Plug                       | 1              | 357        | 333x242x276       | n/a | Y                  | 1                    |
| 4         | 2826100001 | Dust Board ASSY                  | 1              | 15         | 212x30x4          | 1   | Y                  | 8                    |
| 5         | 3706555001 | Depth Stop Plate                 | 1              | 183.7      | 168x52x68         | 1   | Y                  | 4                    |
| 6         | 2825630001 | Shaft ASSY                       | 1              | 157        | 129x24x59         | 1   | Y                  | 20                   |
| 7         | 5660139002 | E Ring                           | 2              | 0.4        | 6x6x1             | 10  | Y                  | 16                   |
| 8         | 5650025004 | Plain Washer                     | 2              | 1.5        | 16x16x1.6         | 10  | Y                  | 16                   |
| 9         | 3660558001 | Tension Spring                   | 1              | 5.43       | 10x10x39          | 1   | Y                  | 18                   |
| 10        | 2825629001 | Handle Lever Set                 | 1              | 71         | 124.3x43x33       | 1   | Y                  | 16                   |
| 11        | 5620065004 | Screw                            | 2              | 1          | 3x3x12            | 10  | Y                  | 1                    |
| 12        | 3322429001 | Height Adjusting Lever           | 1              | 40         | 67x37x60          | 1   | Y                  | 2                    |
| 13        | 2825633001 | Connecting Rod ASSY              | 1              | 267        | 418x80x28         | 1   | Y                  | 20                   |
| 14        | 3705398001 | Mounting Plate                   | 2              | 20         | 49x16x3           | 1   | Y                  | 10                   |
| 15        | 3660557001 | Tension Spring                   | 1              | 109.4      | 18x18x156         | 1   | Y                  | 14                   |
| 16        | 3705397001 | Clamp                            | 1              | 14         | 24.5x32x3         | 1   | Y                  | 16                   |
| 17        | 5610286001 | Tapping Screw                    | 3              | 4.8        | 4.2x4.2x38        | 10  | Y                  | 16                   |
| 18        | 5620480002 | Screw                            | 8              | 3.5        | 4.2x4.2x25        | 10  | Y                  | 6                    |
| 19        | 5650004001 | Plain Washer                     | 2              | 0.74       | 4x4x1.5           | 10  | Y                  | 2                    |
| 20        | 3706196001 | Left Fixing Block                | 1              | 75         | 79.5x35x30        | 1   | Y                  | 8                    |
| 21        | 3127738001 | Rubber Gasket                    | 2              | 4.54       | 21x16.5x13.6      | 1   | Y                  | 4                    |
| 22        | 3706664001 | Support Plate                    | 1              | 438        | 130x166x45        | 1   | Y                  | 15                   |
| 23        | 3129626001 | Left Cover                       | 1              | 60         | 516x118x59        | 1   | Y                  | 20                   |
| 24        | 3129624001 | Rear Enclosure                   | 1              | 302.5      | 313x285x90        | 1   | Y                  | 16                   |
| 25        | 5620157006 | Hexagon Socket Screw             | 57             | 1.95       | 4.2x4.2x19        | 10  | Y                  | 1                    |
| 26        | 3403110001 | Fan                              | 1              | 65         | 100x100x12.8      | 1   | Y                  | 4                    |
| 27        | 2827484002 | Bagging Blade Set                | 1              | 1164.2     | 514x182x22        | n/a | N                  | /                    |
| 28        | 5650705002 | Washer                           | 1              | 39         | 35x35x6.5         | 10  | Y                  | 2                    |
| 29        | 5640226002 | Flange Bolt                      | 1              | 26         | 10x10x25          | 10  | Y                  | 1                    |
| 30        | 3705216001 | Mounting Plate                   | 2              | 12         | 49.5x17x17        | 1   | Y                  | 3                    |
| 31        | 5650453001 | Wave Washer                      | 4              | 0.4        | 13x20x3           | 10  | Y                  | 3                    |
| 32        | 2825628001 | Front Axle Set                   | 1              | 589        | 515x73x20         | 1   | Y                  | 24                   |
| 33        | 2824429003 | Wheel Assembly                   | 2              | 393.5      | 180x180x49.7      | 1   | Y                  | 2                    |
| 34        | 3126769001 | Hubcap                           | 2              | 14         | 55x5x21.7         | 1   | Y                  | 2                    |
| 35        | 3129625001 | Right Cover                      | 1              | 76         | 558x118x61        | 1   | Y                  | 20                   |
| 36        | 2826099001 | Cover Assembly                   | 1              | 1300       | 695x561x229       | 1   | Y                  | 16                   |
| 37        | 3706663001 | Support Plate                    | 1              | 330        | 145x169x46        | 1   | Y                  | 15                   |
| 38        | 3706195001 | Right Fixing Block               | 1              | 40         | 70x35x2.5         | 1   | Y                  | 8                    |
| 39        | 5640010003 | Hexagon Flange Bolt              | 4              | 12         | 8x8x12            | 10  | Y                  | 3                    |
| 40        | 3126765001 | Hubcap                           | 2              | 24         | 81.7x81.1x19.8    | 1   | Y                  | 2                    |
| 41        | 5640217003 | Bolt and Washer Set              | 4              | 9          | 13.7x13.7x30      | 10  | Y                  | 2                    |
| 42        | 2826055001 | Service Cover Assembly           | 1              | 700        | 363x408x185       | 1   | Y                  | 6                    |
| 43        | 5670345001 | Shaft                            | 1              | 104.8      | 7x7x345           | 1   | Y                  | 10                   |
| 44        | 3660559001 | Torsion Spring                   | 1              | 15         | 15.2x15.2x25      | 1   | Y                  | 10                   |
| 45        | 3126689003 | Rear Cover                       | 1              | 390        | 338x299x68        | 1   | Y                  | 10                   |
| 46        | 3129771001 | Trail Shield                     | 1              | 124        | 422x97x2          | 1   | Y                  | 3                    |
| 47        | 3129770001 | Bevel Support                    | 3              | 6.8        | 47x24x19          | 1   | Y                  | 1                    |
| 48        | 3128946001 | Protecting Cap                   | 2              | 78         | 189x189x30.1      | 1   | Y                  | 5                    |
| 49        | 5620067010 | Screw                            | 2              | 1          | 4x4x8             | 10  | Y                  | 1                    |
| 50        | 2826165001 | Switch Assembly                  | 1              | 35         | 38x30x10.3        | 1   | Y                  | 8                    |
| 51        | 3520933001 | Gear                             | 2              | 120        | 82x82x8           | 1   | Y                  | 15                   |
| 52        | 2825267001 | Wheel Assembly                   | 2              | 778.5      | 232x232x60.5      | 1   | Y                  | 3                    |
| 53        | 5630013003 | Prevailing Torque Hexagon Nut    | 2              | 3.5        | 6x6x5.7           | 10  | Y                  | 1                    |
| 54        | 3705142001 | Connecting Rod                   | 1              | 163        | 290x82.5x4        | 1   | Y                  | 20                   |
| 201       | 2827415002 | Power Unit                       | 1              | 4040       | 406x309x260       | 1   | Y                  | 15                   |
| 202       | 2826009002 | Handle ASSY                      | 1              | 4989       | 1147x497x247      | 1   | Y                  | 16                   |
| 203       | 2826067001 | Self-Propelled Unit              | 1              | 1877       | 519x127x156       | 1   | Y                  | 10                   |
| 201-1     | 3129442001 | Transparent Guard                | 1              | 35         | 139.8x114.8x50.4  | 1   | Y                  | 6                    |
| 201-2     | 5650013001 | Plain Washer                     | 2              | 1.8        | 10x10x1           | 10  | Y                  | 2                    |
| 201-3     | 5620157006 | Hexagon Socket Screw             | 18             | 1.95       | 4.2x4.2x19        | 10  | Y                  | 1                    |
| 201-4     | 2826307001 | Top Cover ASSY                   | 1              | 299.2      | 251.4x190.8x178   | 1   | Y                  | 15                   |
| 201-5     | 2826306001 | Battery Box ASSY                 | 1              | 390        | 237.4x200.6x219.9 | 1   | Y                  | 20                   |
| 201-6     | 5640217004 | Bolt and Washer Set              | 3              | 9          | 13.7x13.7x30      | 10  | Y                  | 2                    |
| 201-7     | 3403069001 | Bottom Support                   | 1              | 82         | 225.5x229.2x170.7 | 1   | Y                  | 20                   |
| 201-8     | 2730252001 | DC Motor                         | 1              | 2100       | 156x156x118       | 1   | Y                  | 20                   |
| 201-9     | 2830412001 | 4908 LED Electric Assembly       | 1              | 13         | 80x140x20         | 1   | Y                  | 10                   |
| 201-10    | 3129439001 | Support                          | 1              | 20         | 61x61.8x61.9      | 1   | Y                  | 18                   |
| 201-11    | 3660013003 | Spring1                          | 1              | 1          | 9.9x9.9x25        | 10  | Y                  | 18                   |
| 201-12    | 3127202001 | Power Pack Button                | 1              | 4.7        | 37.5x31.5x13      | 1   | Y                  | 18                   |
| 201-13    | 3127201001 | Release Button                   | 1              | 17         | 52x42x36          | 1   | Y                  | 18                   |
| 201-14    | 2830216002 | 4908 Fuse PCBA                   | 1              | 17         | 7x7x112           | 1   | Y                  | 5                    |
| 201-15    | 4860570001 | Wiring Harness                   | 1              | 57         | 183x40x40         | 1   | Y                  | 18                   |
| 201-16    | 5680196001 | Key                              | 1              | 24         | 43.5x52x18        | 1   | Y                  | 1                    |
| 201-17    | 4860794001 | Bus Wire Harness Assembly        | 1              | 36.7       | 4.8x4.8x430       | 1   | Y                  | 8                    |
| 201-18    | 3130400001 | Rear Cover                       | 1              | 200        | 220.4x248.4x71.7  | 1   | Y                  | 7                    |
| 201-19    | 2830416003 | 4907.1 EU Electric Assembly      | 1              | 83         | 79x51.7x23        | 1   | Y                  | 10                   |
| 201-20    | 2830787001 | 4907.1 EU Main Electric Assembly | 1              | 297.5      | 163.7x91.8x150.2  | 1   | Y                  | 10                   |
| 201-21    | 3129434001 | Mounting Plate                   | 1              | 177.6      | 222x162.3x103.3   | 1   | Y                  | 20                   |
| 201-401   | 2826310001 | Battery Cover ASSY               | 1              | 230        | 260x235.7x139.5   | 1   | Y                  | 3                    |
| 202-1     | 5620161005 | Hexagon Socket Screw             | 4              | 9.57       | 5x5x55            | 1   | Y                  | 1                    |
| 202-2     | 4870710001 | Film Switch                      | 1              | 10         | 283x40x3          | 10  | Y                  | 18                   |

| Index No. | Art. No.   | Description                     | QTY in machine | Weight (g) | Size LxWxH (mm) | MPQ | Repairable or Not? | Standard Repair Time |
|-----------|------------|---------------------------------|----------------|------------|-----------------|-----|--------------------|----------------------|
| 202-3     | 5630006002 | Prevailing Torque Hexagon Nut   | 4              | 2          | 5x5x4.8         | 10  | Y                  | 3                    |
| 202-4     | 3126832001 | Rubber Block                    | 2              | 3.94       | 37x10x9.2       | 1   | Y                  | 13                   |
| 202-5     | 3126761001 | Clamp Block                     | 2              | 1.7        | 40.2x12.9x6.6   | 1   | Y                  | 13                   |
| 202-6     | 3705393001 | Intermedium Tube                | 1              | 131        | 41x25x190       | 1   | Y                  | 16                   |
| 202-7     | 2827604001 | Right Telescope Tube Assembly   | 1              | 715.1      | 65.5x41.6x1031  | 1   | Y                  | 35                   |
| 202-8     | 5630268001 | Nut                             | 2              | 16.2       | 12x12x1.25      | 10  | Y                  | 10                   |
| 202-9     | 3550048003 | Pin                             | 2              | 2.9        | 5x5x18.5        | 1   | Y                  | 15                   |
| 202-10    | 5670248001 | Pin                             | 2              | 1.7        | 4x4x16.5        | 1   | Y                  | 10                   |
| 202-11    | 2825245001 | Connecting Rod ASSY             | 1              | 53         | 102.8x12.4x14   | 1   | Y                  | 15                   |
| 202-12    | 5660001003 | E Ring                          | 2              | 0.1        | 3x3x1           | 10  | Y                  | 1                    |
| 202-13    | 3128648001 | Decorative Cover                | 1              | 103.6      | 193x125x66.5    | 1   | Y                  | 10                   |
| 202-14    | 2825991001 | Spindle ASSY                    | 1              | 759        | 407x132x46      | 1   | Y                  | 15                   |
| 202-15    | 3129714001 | Switch Actuator                 | 1              | 2.1        | 28x27.3x28      | 1   | Y                  | 10                   |
| 202-16    | 3128647001 | Decorative Cover                | 1              | 98         | 193x125x66.5    | 1   | Y                  | 10                   |
| 202-17    | 5670432001 | Pin                             | 1              | 171.8      | 8x8x453         | 1   | Y                  | 12                   |
| 202-18    | 5630013003 | Prevailing Torque Hexagon Nut   | 2              | 3.5        | 6x6x5.7         | 10  | Y                  | 15                   |
| 202-19    | 5640168001 | Square Neck Bolt                | 2              | 7.92       | 6x6x35          | 10  | Y                  | 10                   |
| 202-20    | 3551952001 | Sleeve                          | 2              | 18         | 12x12x39        | 1   | Y                  | 18                   |
| 202-21    | 5660003003 | E Ring                          | 2              | 0.2        | 9x9x1           | 10  | Y                  | 6                    |
| 202-22    | 2825244001 | Handle Lever Set                | 1              | 299.2      | 130x16x38       | 1   | Y                  | 10                   |
| 202-23    | 3660565001 | Compression Spring              | 1              | 3.92       | 9.6x9.6x28      | 10  | Y                  | 10                   |
| 202-24    | 2827605001 | Left Telescope Tube Assembly    | 1              | 708        | 65.5x48.5x1031  | 1   | Y                  | 15                   |
| 202-25    | 2826843001 | Internal Wire ASSY              | 1              | 256        | 20x20x1400      | 1   | Y                  | 10                   |
| 202-26    | 3660011002 | Spring                          | 2              | 1.04       | 12.8x12.8x16    | 10  | Y                  | 15                   |
| 202-27    | 3129632001 | Switch Actuator                 | 1              | 22         | 39x24x12.5      | 1   | Y                  | 15                   |
| 202-28    | 3660724001 | Torsion Spring                  | 1              | 0.7        | 9.2x9.2x4       | 1   | Y                  | 15                   |
| 202-29    | 3127905001 | Switch Actuator                 | 1              | 5.5        | 46.7x29.4x30.9  | 1   | Y                  | 15                   |
| 202-30    | 3129665001 | Button                          | 1              | 12         | 60x42.4x36.7    | 1   | Y                  | 13                   |
| 202-31    | 2826127002 | Handle Set                      | 1              | 410        | 439x130x203     | 1   | Y                  | 10                   |
| 202-32    | 2825826001 | Control Handle Set              | 1              | 347.8      | 356x180x19.8    | 1   | Y                  | 13                   |
| 202-33    | 3127908001 | Switch Lever                    | 1              | 17         | 81x32.5x27.7    | 1   | Y                  | 13                   |
| 202-34    | 3660562001 | Compression Spring              | 1              | 1.3        | 10.9x10.9x38    | 10  | Y                  | 15                   |
| 202-35    | 3126763001 | Clamp                           | 1              | 2.92       | 34x17x11.7      | 1   | Y                  | 13                   |
| 202-36    | 5620157006 | Hexagon Socket Screw            | 33             | 1.95       | 4.2x4.2x19      | 10  | Y                  | 1                    |
| 202-37    | 5650004001 | Plain Washer                    | 1              | 0.74       | 4x4x1.5         | 10  | Y                  | 15                   |
| 202-38    | 2830530001 | 4907.1 Switch Electric Assembly | 1              | 80         | 65x35x7.5       | 1   | Y                  | 17                   |
| 202-401   | 2826768002 | Beam Assembly                   | 1              | 140        | 127x108x79      | 1   | Y                  | 15                   |
| 202-402   | 2826608002 | Beam Assembly                   | 1              | 140        | 127x108x79      | 1   | Y                  | 15                   |
| 202-403   | 2826978001 | Switch Box Set                  | 1              | 464        | 446x183x66      | 1   | Y                  | 15                   |
| 202-404   | 2827584001 | Control Handle Set              | 1              | 308.02     | 130x16x38       | 1   | Y                  | 43                   |
| 203-1     | 5620033010 | Screw                           | 2              | 0.87       | 3x3x10          | 10  | Y                  | 1                    |
| 203-2     | 2826577002 | Motor & Gear ASSY               | 1              | 298.5      | 63.5x63.5x74.5  | 1   | Y                  | 10                   |
| 203-3     | 2826428002 | Gear Set                        | 1              | 54         | 42x42x32        | 1   | Y                  | 10                   |
| 203-4     | 3900208001 | Dust Cover                      | 1              | 54         | 117.1x89.5x86   | 1   | Y                  | 5                    |
| 203-5     | 3128943001 | Support                         | 1              | 12         | 119x15x44       | 1   | Y                  | 7                    |
| 203-6     | 5620157006 | Hexagon Socket Screw            | 10             | 1.95       | 4.2x4.2x19      | 10  | Y                  | 1                    |
| 203-7     | 5620480002 | Screw                           | 1              | 3.5        | 4.2x4.2x25      | 10  | Y                  | 1                    |