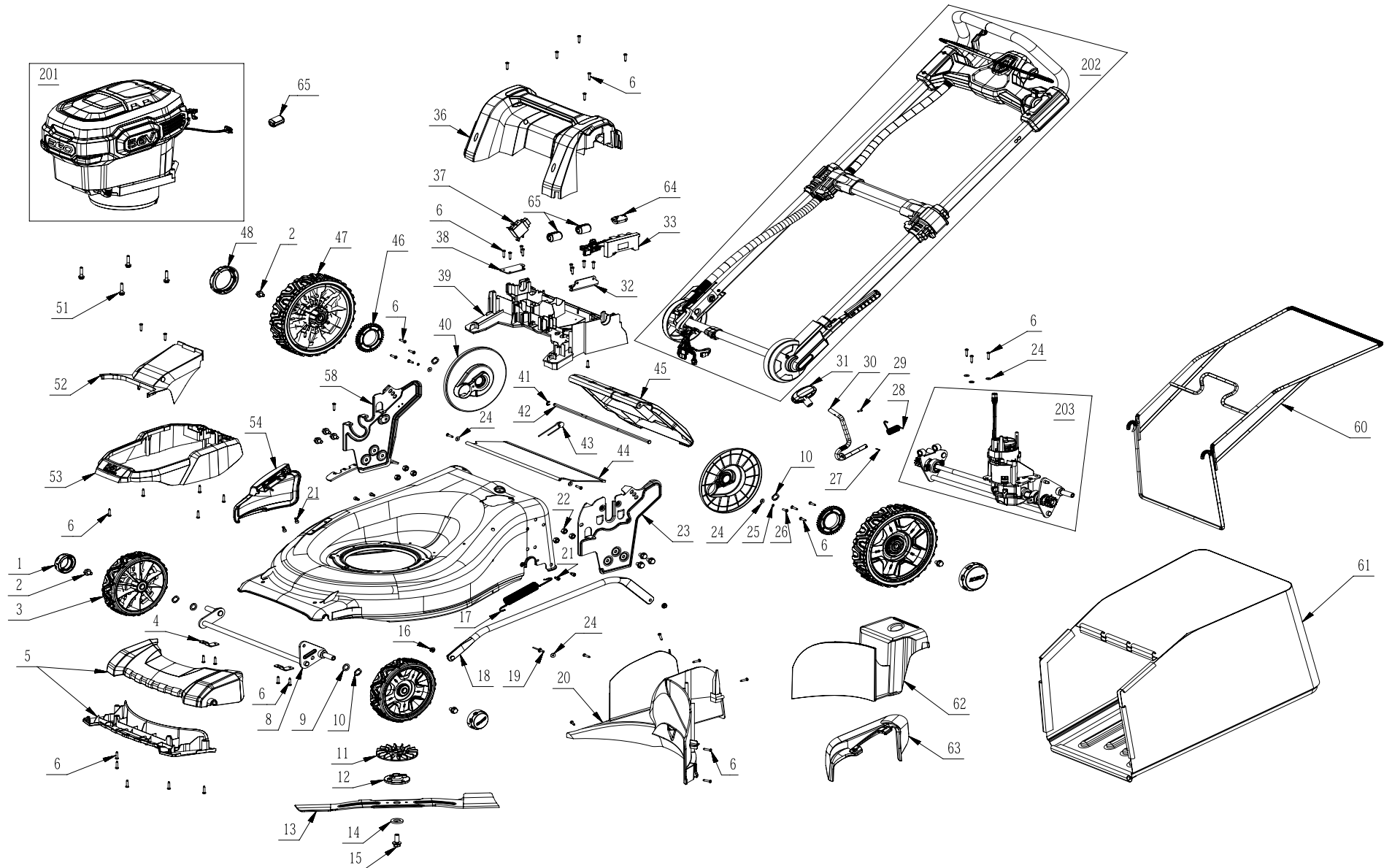




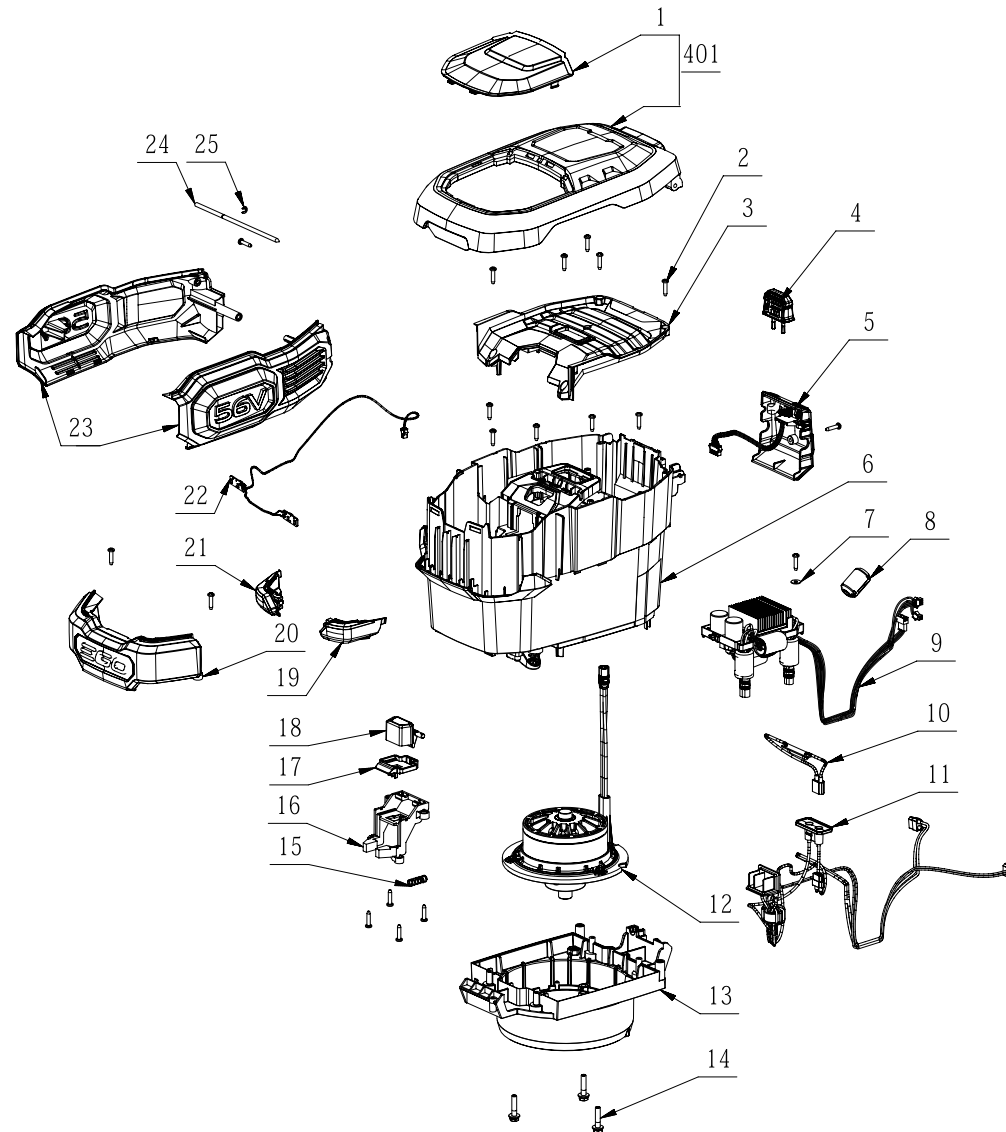
Product Description:Lawn Mower  
Model Number:LM2020E-SP  
Body Number:1000010001\_S  
Version: A  
Issue Date: 2020/07/13





Product Description:Lawn Mower  
Model Number:LM2020E-SP  
Body Number:1000010001\_S  
Version: A  
Issue Date: 2020/07/13

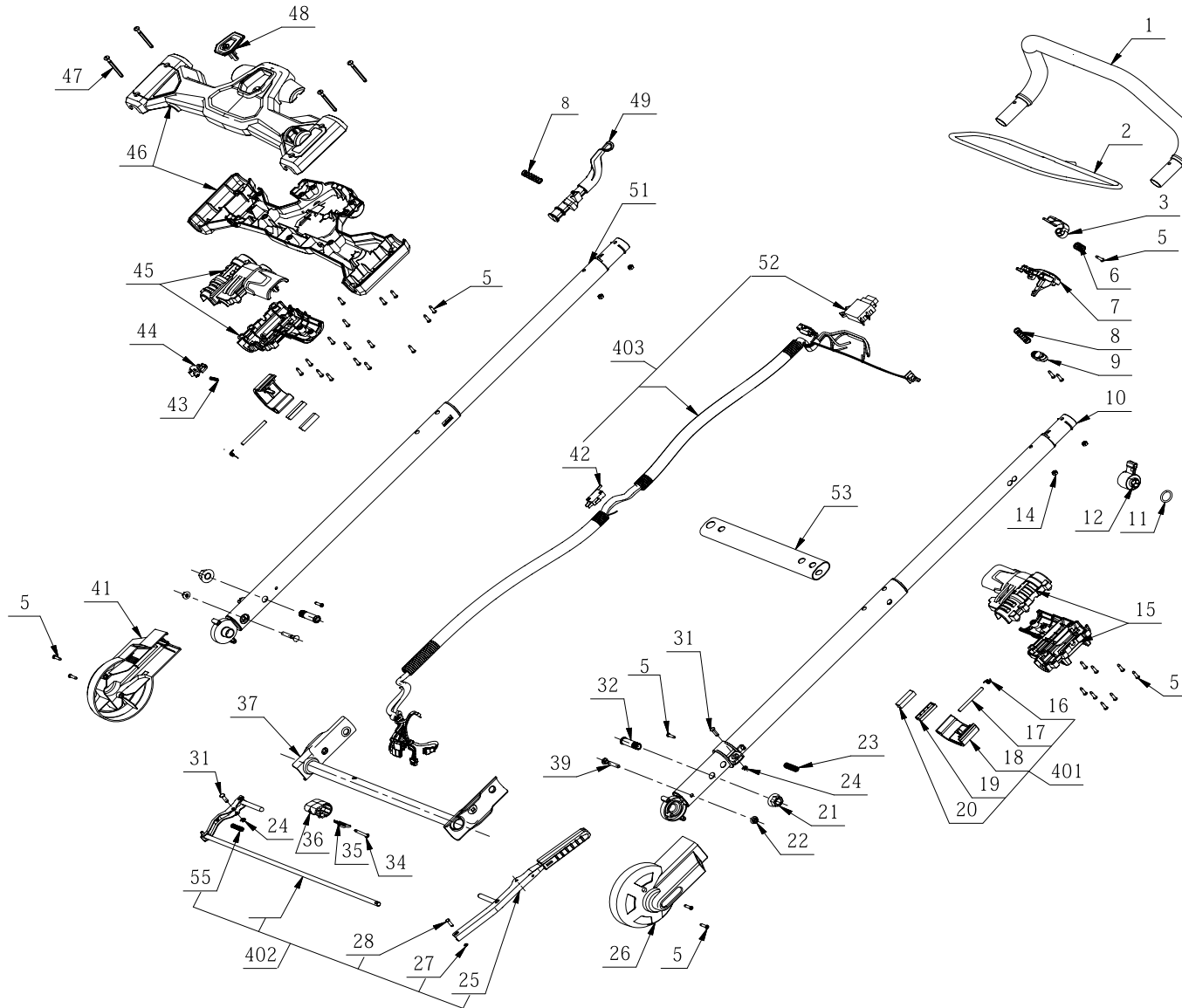
201





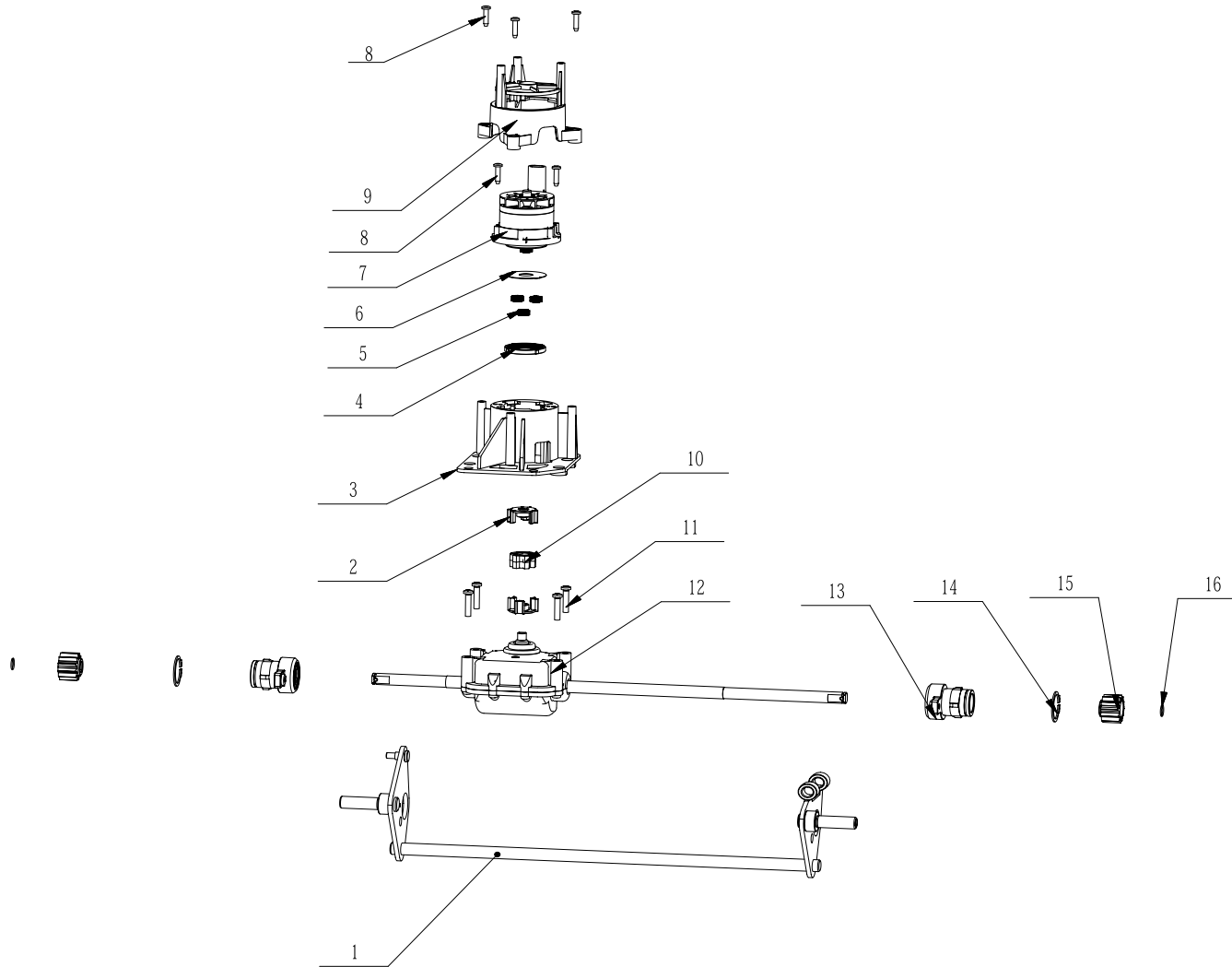
Product Description:Lawn Mower  
Model Number:LM2020E-SP  
Body Number:1000010001\_S  
Version: A  
Issue Date: 2020/07/13

202





Product Description:Lawn Mower  
Model Number:LM2020E-SP  
Body Number:1000010001\_S  
Version: A  
Issue Date: 2020/07/13





Repair Parts\_Lawn Mower\_4906.1(LM2020E-SP A)

Index No.	Art. No.	Description	QTY in machine	Weight (g)	Size LxWxH (mm)	MPQ	Repairable or Not?	Standard Repair Time (min.)
1	3126769001	Hubcap	2	14	55x55x21.7	1	Y	1
2	5640010003	Hexagon Flange Bolt	10	12	8x8x12	10	Y	1
3	2824429001	Wheel Assembly	2	393.5	180x180x49.7	1	Y	2
4	3705216001	Mounting Plate	2	12	49.5x17x17	1	Y	1
5	2824527001	Top Cover ASSY	1	415	382x146x86	1	Y	5
6	5620157006	Hexagon Socket Screw	51	1.95	4.2x4.2x19	10	Y	1
8	2824348001	Front Axle Set	1	716.5	485.5x82x78	1	Y	15
9	5650032003	Plain Washer	2	5.5	Φ12x2	10	Y	1
10	5650453001	Wave Washer	4	0.4	13x20x3	10	Y	1
11	3127847001	Fan	1	42	23.5x100x12.8	1	Y	2
12	3520852002	Motor Bushing	1	111.5	16.7x62x16.8	1	Y	2
13	3706023001	Blade	1	616.5	494x14.5x102	1	N	/
14	5650510001	Washer	1	14	16.7x30x4	10	Y	2
15	5640226001	Flange Bolt	1	26	10x10x25	10	Y	2
16	5630013003	Prevailing Torque Hexagon Nut	2	3.5	6x6x5.7	10	Y	1
17	3660609001	Tension Spring	1	150.5	22.5x168	1	Y	15
18	2824128001	Connecting Rod ASSY	1	503.5	620x12x108	1	Y	10
19	5680200001	Rivet	1	5.1	Φ4x12	1	Y	1
20	3127956001	Rear Enclosure	1	653	445x270x211	1	Y	1
21	5620213003	Hexagon Socket Screw	6	3.4	M5x10	10	Y	1
22	5630271001	Nut	6	4.5	13x15x8.5	10	Y	1
23	3706155001	Support Plate	1	947.8	260.5x48x245	1	Y	1
24	5650004001	Plain Washer	9	0.74	4x4x1.5	10	Y	1
25	5650007001	Spring Washer	2	0.3	4	10	Y	1
26	5620041006	Screw	2	2	M4x14	10	Y	1
27	5670184002	Pin	1	0.5	φ2x15	1	Y	20
28	3660606001	Torsion Spring	1	14	φ15.8x35	1	Y	20
29	5620033010	Screw	1	0.87	3x3x10	10	Y	1
30	2824882001	Height Adjusting Bar	1	165.7	94x51x133.6	1	Y	15
31	3128692001	Height Adjusting Lever	1	22	61.5x22.4x50	1	Y	2
32	3706196001	Left Fixing Block	1	75	79.5x35x30	1	Y	1
33	2830177002	Electric Assembly	1	50	101x46x40	1	Y	5
36	2825016001	Motor Top Cover Assembly	1	511	370x216x196	1	Y	5
37	4870566002	Push Switch	1	35	52.5x36.5x17.9	1	Y	10
38	3706195001	Right Fixing Block	1	40	70x35x2.5	1	Y	1
39	3126984001	Rear Cover	1	388.8	352x230x122.7	1	Y	1
40	3127923001	Protecting Cap	2	65	Φ189x27	1	Y	10
41	5660139002	E Ring	1	0.4	6x6x1	10	Y	1
42	5670457001	Shaft	1	104	Φ7x365	1	Y	10
43	3660559001	Torsion Spring	1	15	15.2x15.2x25	1	Y	5
44	3128114001	Trail Shield	1	200	400x160x2.5	1	Y	1
45	3127944001	Rear Cover	1	279	336x254.8x46.6	1	Y	10
46	3520933001	Gear	2	120	82x82x8	1	Y	1
47	2824430001	Wheel Assembly	2	674	Φ232x56	1	Y	2
48	3126765001	Hubcap	2	24	81.7x81.1x19.8	1	Y	1
51	5640217001	Bolt and Washer Set	4	9	13.7x13.7x30	10	Y	1
52	3128686001	Service Cover	1	99.8	189x130x204.5	1	Y	5
53	3127951001	Housing Cover	1	210	234x384x86	1	Y	10
54	2824255002	Guard ASSY	1	172	216x151x85	1	Y	5
58	2824721001	Support ASSY	1	905	267x58.5x257.6	1	Y	1
60	3650172001	Bag Frame	1	1322.5	588x401x413	1	Y	1
61	3800110001	Grass Catcher	1	716	588x401x413	1	Y	1
62	3127949001	Mulch Plug	1	282	234x225x161	1	Y	1
63	3127950001	Side Discharge Chute	1	216	363x175x155	1	Y	1
64	3680227001	Magnetic Block	1	20	20x20x35	1	Y	1
65	3680226001	Magnetic Block	3	28	23.5x22.2x36	1	Y	1
201	2824822009	Power Unit	1	4261.8	350x347x263.5	1	Y	5
202	2824855002	Handle ASSY	1	4635.3	859x501x237	1	Y	5
203	2824960001	Self-Propelled Unit	1	2573.1	-	1	Y	10
202-1	2823782001	Sheath ASSY	1	465	442x123x188	1	Y	20
202-2	2824118001	Control Handle ASSY	1	340	356x179.7x8	1	Y	25
202-3	3127905001	Switch Actuator	1	5.5	46.7x29.4x30.9	1	Y	25
202-5	5610294001	Tapping Screw	33	1.3	7x7x18	10	Y	1
202-6	3660814001	Compression Spring	1	1.1	12.8x17	10	Y	10
202-7	3127908001	Switch Lever	1	17	81x32.5x27.7	1	Y	10
202-8	3660562001	Compression Spring	2	1.3	10.9x10.9x38	10	Y	25
202-9	3126763001	Clamp	1	2.92	34x17x11.7	1	Y	25
202-10	2827491001	Left Telescope Tube Assembly	1	435	37.8x22.2x999	1	Y	35
202-11	3123112001	O Ring	1	0.6	18x2.8	10	Y	10
202-12	3127930001	Adjusting Knob	1	26	52.8x31.6x28.6	1	Y	10
202-14	5630006002	Prevailing Torque Hexagon Nut	4	2	5x5x4.8	10	Y	1
202-15	2824427001	Left Cover Set	1	151	129x110x42	1	Y	15
202-21	5630268001	Nut	2	16.2	12x12x1.25	10	Y	1
202-22	5630013003	Prevailing Torque Hexagon Nut	2	3.5	6x6x5.7	10	Y	1
202-23	3660565001	Compression Spring	1	3.92	9.6x9.6x28	10	Y	10
202-24	5660245001	"E" Ring	2	0.2	Φ9x1	10	Y	10
202-26	3128647001	Decorative Cover	1	98	193x125x66.5	1	Y	10
202-31	3550048003	Pin	2	2.9	5x5x18.5	1	Y	1
202-32	3551952001	Sleeve	2	18	12x12x39	1	Y	1
202-34	5610276001	Hexagon Lobular Tapping Screw	1	3.3	5T4.2X30	10	Y	1
202-35	3128687001	Lock Cover	1	1.7	28x14x5	1	Y	1
202-36	3127087001	Switch Lever	1	11	36.5x34.5x28	1	Y	15
202-37	2824717001	Spindle ASSY	1	572.2	407.6x46x130	1	Y	15
202-39	5640168001	Square Neck Bolt	2	7.92	6x6x35	10	Y	1
202-41	3128648001	Decorative Cover	1	103.6	193x125x66.5	1	Y	1
202-43	3660287002	Spring	1	0.55	5x15.3	10	Y	1
202-44	3126768001	Switch Actuator	1	2.11	28x28x12	1	Y	1
202-45	2824426001	Right Cover Set	1	151	129x110x42	1	Y	1
202-46	2824305001	Switch Box Set	1	510	448x183x106	1	Y	5
202-47	5610064005	Thread Forming Screw	4	7.63	5x55	10	Y	5
202-48	3127929001	Button	1	9	52.8x40.7x39.7	1	Y	20
202-49	3127928001	Control Handle	1	51	153x136x93	1	Y	1
202-51	2827492001	Right Telescope Tube Assembly	1	435	37.8x22.2x999	1	Y	5
202-53	3705393001	Intermedium Tube	1	131	41x25x190	1	Y	20
202-401	2823714002	Control Handle Set	2	43	77x40x33	1	Y	20

Index No.	Art. No.	Description	QTY in machine	Weight (g)	Size LxWxH (mm)	MPQ	Repairable or Not?	Standard Repair Time (min.)
202-16	3660568001	Torsion Spring	1	0.45	7.3x4.4	10	Y	20
202-17	5670191002	Parallel Pin	1	9.1	Ø5x60	1	Y	20
202-18	3126790002	Control Handle	1	28	76.2x40x32	1	Y	15
202-19	3126761001	Clamp Block	1	1.7	40.2x12.9x6.6	1	Y	1
202-20	3126832001	Rubber Block	1	3.94	37x10x9.2	1	Y	25
202-402	2827463001	Lock Assembly	1	531	458x105x16	1	Y	20
202-25	2825244001	Handle Lever Set	1	299.2	130x16x38	1	Y	35
202-27	5660001003	E Ring	1	0.1	3x3x1	10	Y	10
202-28	5670248001	Pin	1	1.7	4x4x16.5	1	Y	15
202-55	3660076005	Spring	1	1.04	12.8x16	10	Y	10
202-403	2824754003	Switch Assembly	1	300	220x220x55	1	Y	10
202-42	4870500001	Micro Switch	1	7.6	28x16x9.7	1	Y	20
202-52	4870566002	Push Switch	1	35	52.5x36.5x17.9	1	Y	30
203-1	2824347001	Rear Axle Set	1	886	485.5x90x112	1	Y	15
203-2	3520672001	Shaft Connector	2	15	Ø29x13.2	1	Y	17
203-3	2824425002	Shaft ASSY	1	204	113x64x99	1	Y	25
203-4	3520519001	Ring Gear	1	13.4	40.4x40.4x5	1	Y	25
203-5	3520868001	Planet Gear	3	2.16	11.2x11.2x5.5	1	Y	25
203-6	3703931002	Gasket	1	3.76	40.4x37.6x0.5	10	Y	25
203-7	2824920002	Motor & Gear ASSY	1	310	Ø63.5x67.5	1	Y	25
203-8	5620157006	Hexagon Socket Screw	5	1.95	4.2x4.2x19	10	Y	1
203-9	3128693001	Motor Support	1	230	220x100x100	1	Y	25
203-10	3126674001	Connector	1	4	Ø24x14	1	Y	25
203-11	5610060004	Tapping Screw	4	5	5x25	10	Y	1
203-12	2824148001	Transmission ASSY	1	780.5	90.5x84.6x446	1	Y	25
203-13	2824529001	Bearing Support ASSY	2	72	64x33x41	1	Y	25
203-14	5660152002	Circlips For Shaft	2	2.68	33.5x33.5x12	10	Y	25
203-15	3520870001	Pinion	2	43	30x30x20	1	Y	25
203-16	5660035001	Circlips For Shaft	2	1.4	-	10	Y	25
201-1	3127900001	Transparent Guard	1	50	126x157x35	1	Y	3
201-2	5610042014	Tapping Screw	19	1.95	4.2x19	10	Y	1
201-3	3127879001	Inner Cover	1	98	126x150x51	1	Y	2
201-4	5680196001	Key	1	24	43.5x52x18	1	Y	1
201-5	2825833001	LED Cover ASSY	1	42	97x86x37	1	Y	5
201-6	2825623001	Battery Box ASSY	1	780.6	222.6x229.5x336.3	1	Y	30
201-7	5650004001	Plain Washer	1	0.74	4x4x1.5	10	Y	1
201-8	3680226001	Magnetic Block	1	28	23.5x22.2x36	1	Y	1
201-9	2830176002	Electric Assembly	1	5	90x85x100	1	Y	15
201-10	2830216001	PCB Assembly	1	17	100x40x20	1	Y	15
201-11	2830201002	Electric Assembly	1	130	-	1	Y	15
201-12	2730252001	DC Motor	1	2100	156x156x118	1	Y	20
201-13	2825644001	Base Assembly	1	453	284x175x84	1	Y	20
201-14	5640217002	Bolt and Washer Set	3	9	13.7x13.7x30	10	Y	1
201-15	3660303002	Spring	1	0.5	9x25	10	Y	15
201-16	3126782001	Fixed Unit	1	28	79.3x71x68	1	Y	15
201-17	3126772001	Sliding Block	1	8.13	48.9x44x17.5	1	Y	15
201-18	3126760001	Release Button	1	14	46x33.3x37	1	Y	15
201-19	2824936001	Left Transparent Cap ASSY	1	10	59x61x33	1	Y	15
201-20	2824901002	Front Cover ASSY	1	66	67x78x206	1	Y	15
201-21	2824935001	Right Transparent Cap ASSY	1	10	59x61x33	1	Y	15
201-22	2830182001	Electric Assembly	1	8.9	80x140x20	1	Y	20
201-23	3900068001	Decorative Cover ASSY	1	220	336x138x116	1	Y	10
201-24	5670380001	Pin	1	27	5x163.5	1	Y	10
201-25	5660003003	E Ring	1	0.2	9x9x1	10	Y	1
201-401	2824902001	Battery Cover ASSY	1	298	327x208x58	1	Y	10