

LITHIUM

LiFePO4

LITHIUM (LiFePO4) | High Performance

REF **BSLi-08**



12_v VOLTAGE

60_{Wh} ENERGY

300_A CCA - A (EN)

TECHNOLOGY

- Lithium Iron Phosphate cells construction
- Pre-charged batteries
- Homologated by OEM

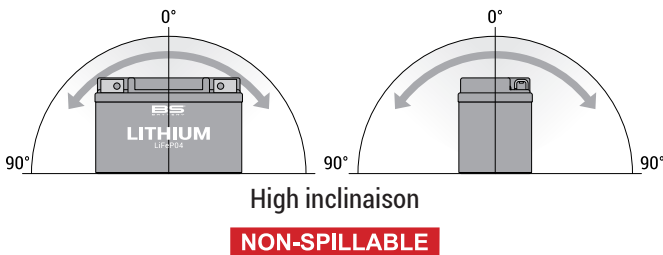
FEATURES

- Fast charging
- Multi-positioning mounting
- Very safe and environmental friendly
- Extensive cycle life: over 2000 cycles
- Very low self-discharge
- Cold temperature performance
- Waterproof design
- Ready to use: just plug and play
- Robust brass terminals
- Heat resistance: up to 230 C°
- Lighter weight

REPLACEMENTS

BTX14L	BTX14L-BS	BB16L-B
BB16CL-B	BTX15L-BS	BB16HL-A-CX
		BB16CL-B
		BB18L-A

MOUNTING ANGLE

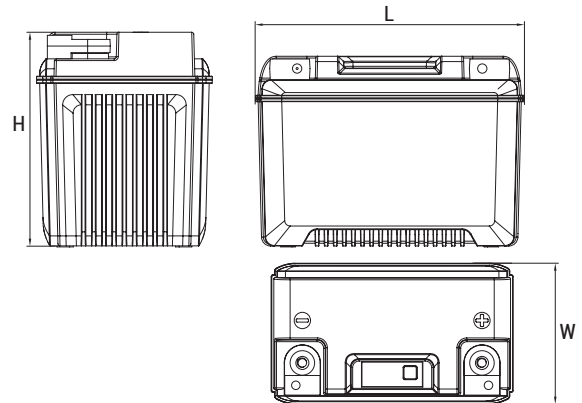


OPERATING TEMP. RANGE

Charge temperature:	0°C to 45°C
Discharge temperature:	-20°C to 55°C
Storage temperature:	0°C to 30°C

DIMENSIONS & WEIGHT

Length (L):	148±1mm
Width (W):	86±1mm
Height (H):	105±2mm
Weight:	1.16kg (tolerance ±3%)



TERMINALS (mm)

