

LITHIUM

LiFePO4

LITHIUM (LiFePO4) | High Performance

REF **BSLi-03**



12_v VOLTAGE

36_{Wh} ENERGY

210_A CCA - A (EN)

TECHNOLOGY

- Lithium Iron Phosphate cells construction
- Pre-charged batteries
- Homologated by OEM

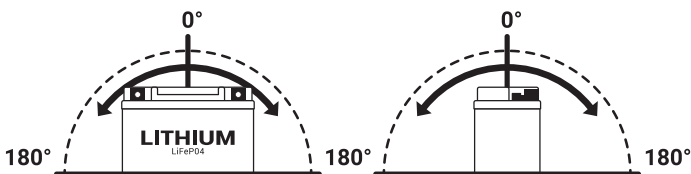
FEATURES

- Fast charging
- Multi-positioning mounting
- Very safe and environmental friendly
- Extensive cycle life: over 2000 cycles
- Very low self-discharge
- Cold temperature performance
- Waterproof design
- Ready to use: just plug and play
- Robust brass terminals
- Heat resistance: up to 230°C
- Lighter weight

REPLACEMENTS

| SLA | MF | DRY |
|--------|----------|-----------|
| BB7-A | BTX7A-BS | 12N7-4A |
| BB9-B | BT7B-BS | 12N9-4B-1 |
| BTX7A | BT9A-BS | BB7-A |
| BTX9 | BT9B-BS | BB9-B |
| BT7B-4 | BTX9-BS | |
| BT9B-4 | | |

MOUNTING ANGLE



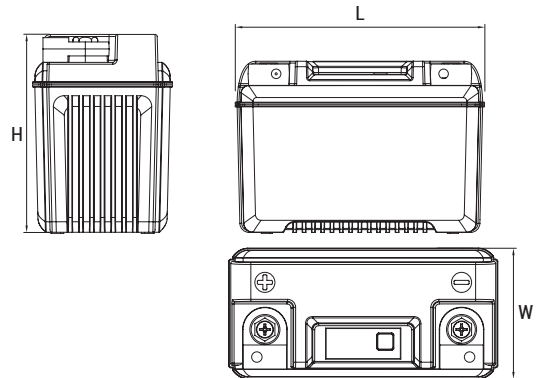
NON-SPILLABLE

OPERATING TEMP. RANGE

| | |
|------------------------|---------------|
| Charge temperature: | 0°C to 45°C |
| Discharge temperature: | -20°C to 55°C |
| Storage temperature: | 0°C to 30°C |

DIMENSIONS & WEIGHT

| | |
|-------------|------------------------|
| Length (L): | 134mm ±1mm |
| Width (W): | 65mm ±1mm |
| Height (H): | 92mm ±2mm |
| Weight: | 0.78kg (tolerance ±3%) |



TERMINALS (mm)

