

DRY BATTERY

DRY | CONVENTIONAL

REF BB9-B



12V VOLTAGE - V

115A CCA - A (EN)

9.5Ah VOLTAGE - Ah (20Hr)

9Ah VOLTAGE - Ah (10Hr)

TECHNOLOGY

- Lead acid dry charged construction (absorbed acid)
- No acid in cells, must be filled with acid before use
- 6 & 12V batteries

FEATURES

- Upright installation only
- Has to be checked periodically and refilled with water if necessary
- Internal gas emission through venting hole
- Handle with care to prevent acid spillage
- Regular life duration
- Does not need to be recharged while stocked

UPGRADE FOR

WEIGHT

Battery (with acid): Approx 3.12kg

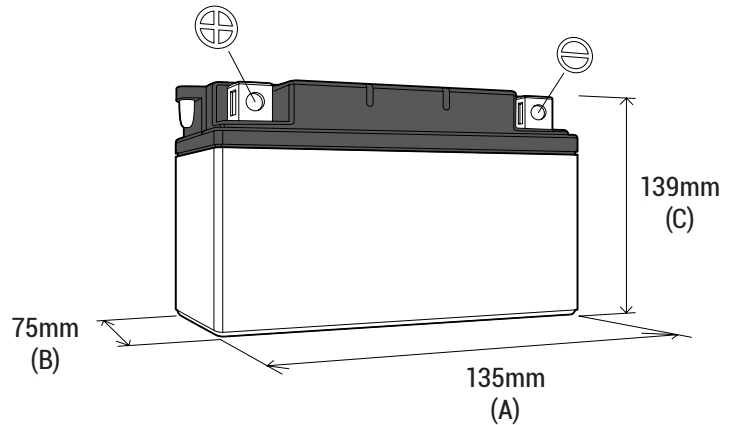
MOUNTING ANGLE



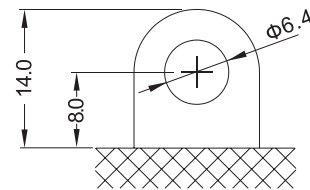
Upright installation only

DIMENSIONS

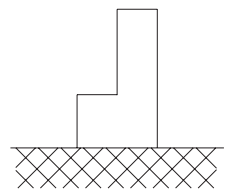
Length (A): 135mm ±2mm
 Width (B): 75mm ±2mm
 Container height: 139mm ±2mm
 Total height (C): 139mm ±2mm



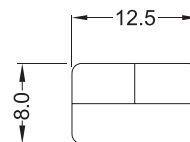
TERMINALS (mm)



FRONT



SIDE



TOP