

BB9-B/12N9-4B-1

BS CODE: 310596

VOLTAGE **12V**

CCA **115A**

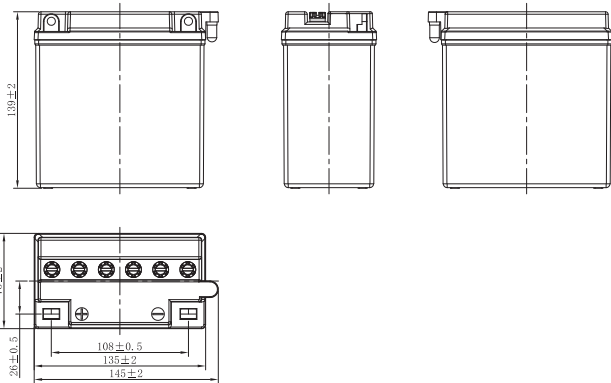
CAPACITY 20HR **9.5Ah**

CAPACITY 10HR **9.0Ah**

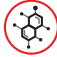








DIMENSIONS


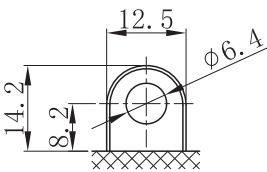
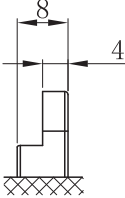
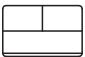
LENGTH	135 ±2mm	5.31 ±0.08inch
WIDTH	75 ±2mm	2.95 ±0.08inch
TOTAL HEIGHT	139 ±2mm	5.47 ±0.08inch
WEIGHT	2.02 kg ±5%	4.45 lbs ±5%



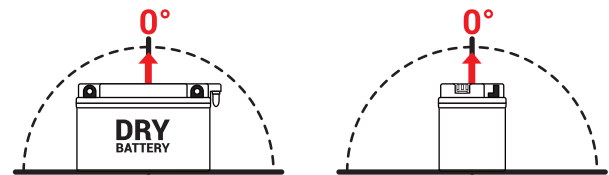
DRY FEATURES

-  **TO BE ACTIVATED**
DRY-charged technology.
-  **ACID PACK INCLUDED**
For initial filling.
-  **PERIODIC MAINTENANCE**
Refilled with water if necessary.
-  **HANDLE WITH CARE TO PREVENT ACID SPILLAGE**
-  **LONG SHELF LIFE**
No need to be recharged while stocked (if not activated).
-  **INTERNAL GAS EMISSION THROUGH VENTING HOLE**
-  **WIDE VARIETY OF 6V & 12V MODELS**

TERMINAL (mm)

POLARITY	
	
FRONT	SIDE
	
	TOP

MOUNTING ANGLE



UPGRADE FOR

SLA MAX	SLA	MF	DRY
-	-	-	-