

## DRY BATTERY

DRY | CONVENTIONAL

# REF BB7L-B2



**12V** VOLTAGE - V

**85A** CCA - A

**8.4Ah** CAPACITY - Ah (20Hr)

**8Ah** CAPACITY - Ah (10Hr)

### TECHNOLOGY

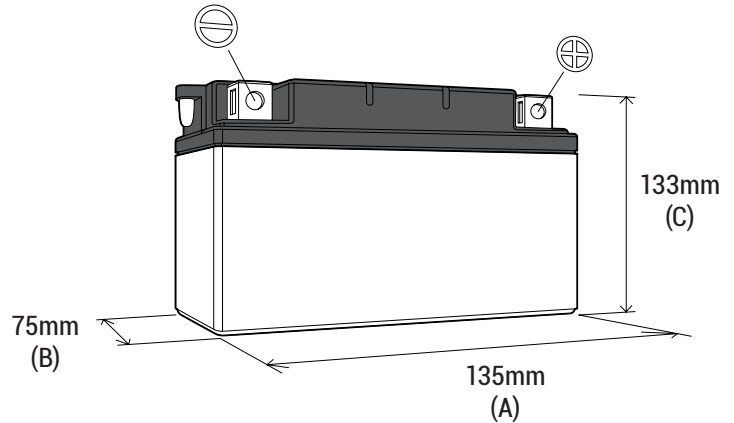
- Lead acid dry charged construction (absorbed acid)
- No acid in cells, must be filled with acid before use
- 6 & 12V batteries

### FEATURES

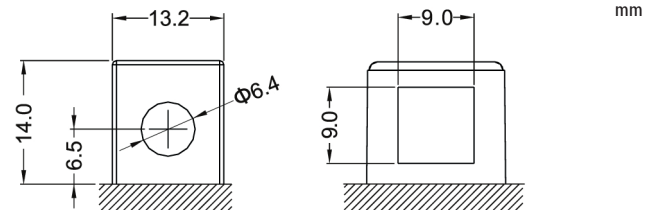
- Upright installation only
- Has to be checked periodically and refilled with water if necessary
- Internal gas emission through venting hole
- Handle with care to prevent acid spillage
- Regular life duration
- Does not need to be recharged while stocked

### DIMENSIONS

Length (A) :	135±2mm
Width (B) :	75±2mm
Container height :	133±2mm
Total height (C) :	133±2mm



### TERMINALS



### UPGRADE FOR

### WEIGHT

Battery (with acid) : Approx 2.82kg

### MOUNTING ANGLE

