

DRY BATTERY

DRY | CONVENTIONAL

REF BB5L-B



12V VOLTAGE - v

65A CCA - A

5.3Ah CAPACITY - Ah (20Hr)

5Ah CAPACITY - Ah (10Hr)

TECHNOLOGY

- Lead acid dry charged construction (absorbed acid)
- No acid in cells, must be filled with acid before use
- 6 & 12V batteries

FEATURES

- Upright installation only
- Has to be checked periodically and refilled with water if necessary
- Internal gas emission through venting hole
- Handle with care to prevent acid spillage
- Regular life duration
- Does not need to be recharged while stocked

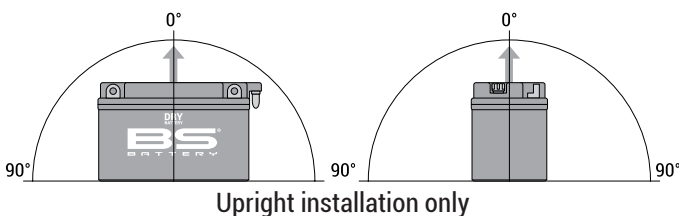
UPGRADE FOR

12N5-3B

WEIGHT

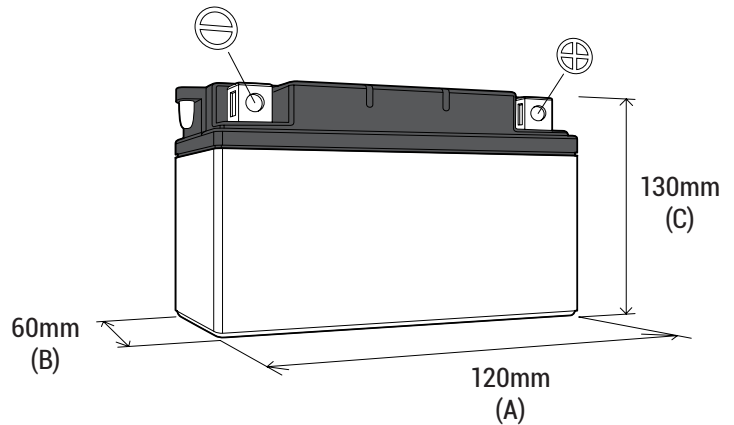
Battery (with acid) : Approx 2.00kg

MOUNTING ANGLE

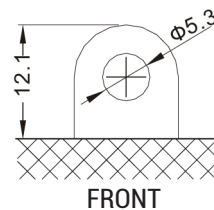


DIMENSIONS

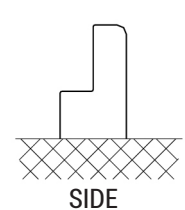
Length (A) : 120±2mm
 Width (B) : 60±2mm
 Container height : 130±2mm
 Total height (C) : 130±2mm



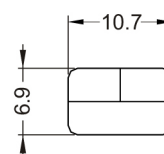
TERMINALS



FRONT



SIDE



TOP