

MF
BATTERY

MF | MAINTENANCE FREE

REF **BTX20CH-BS**



12V VOLTAGE - V

270A CCA - A

18.9Ah VOLTAGE - Ah (20Hr)

18Ah VOLTAGE - Ah (10Hr)

TECHNOLOGY

- AGM construction (absorbed acid)
- VRLA battery (Valve Regulated Lead Acid)
- Supplied with a separate acid pack
- Homologated by OEM

FEATURES

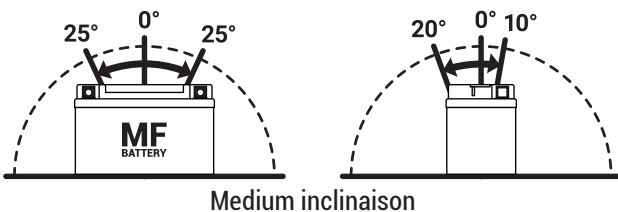
- Upright installation only
- Maintenance free (no water refilling)
- Sealed after filling, no gas emission through venting hole (under normal operation)
- High power
- Does not need to be recharged while stocked
- Suitable for cold weather
- Reduction of plate sulfation
- Higher life cycle (up to three times longer than conventional batteries)
- Longer voltage hold

UPGRADE FOR

WEIGHT

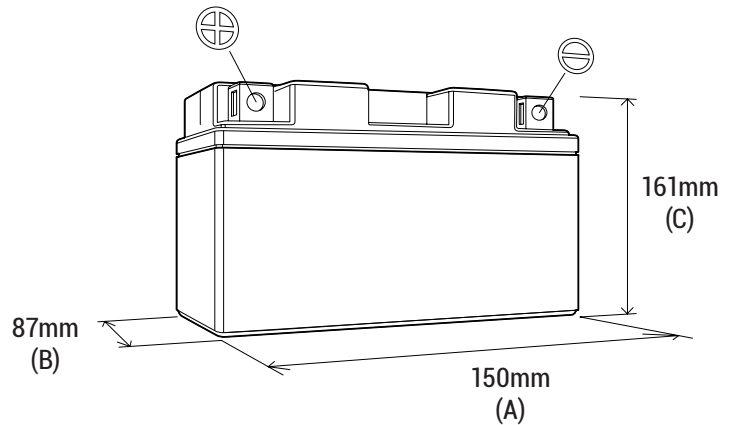
Battery (with acid): Approx 5.63kg

MOUNTING ANGLE



DIMENSIONS

Length (A):	150 ±2mm
Width (B):	87 ±2mm
Container height:	161 ±2mm
Total height (C):	161 ±2mm



TERMINALS (mm)

