

## DRY BATTERY

DRY | CONVENTIONAL

# REF BB14A-A2



**12V** VOLTAGE - V

**175A** CCA - A

**14.7Ah** CAPACITY - Ah (20Hr)

**14Ah** CAPACITY - Ah (10Hr)

### TECHNOLOGY

- Lead acid dry charged construction (absorbed acid)
- No acid in cells, must be filled with acid before use
- 6 & 12V batteries

### FEATURES

- Upright installation only
- Has to be checked periodically and refilled with water if necessary
- Internal gas emission through venting hole
- Handle with care to prevent acid spillage
- Regular life duration
- Does not need to be recharged while stocked

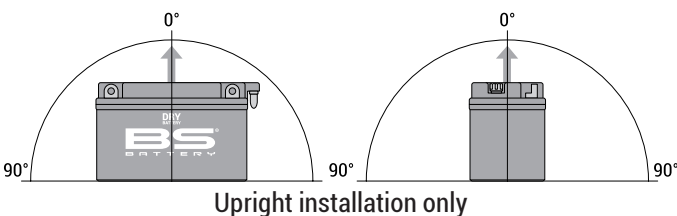
### UPGRADE FOR

-

### WEIGHT

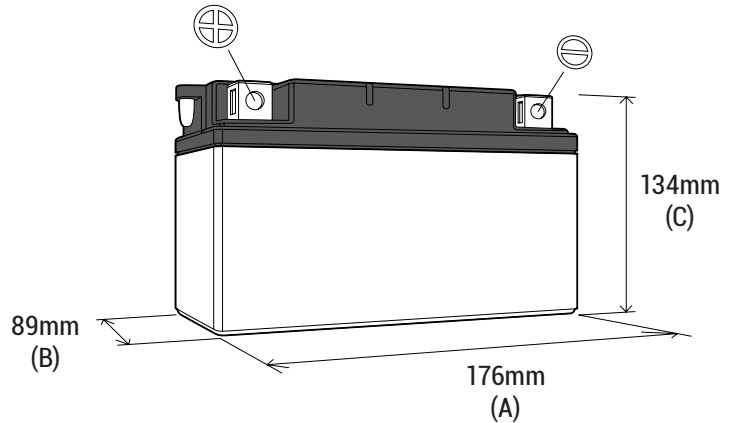
Battery (with acid) : Approx 4.75kg

### MOUNTING ANGLE



### DIMENSIONS

Length (A) : 134±2mm  
 Width (B) : 89±2mm  
 Container height : 176±2mm  
 Total height (C) : 176±2mm



### TERMINALS

