

## DRY BATTERY

DRY | CONVENTIONAL

# REF BB14-B2



**12V** VOLTAGE - v

**175A** CCA - A

**14.7Ah** CAPACITY - Ah (20Hr)

**14Ah** CAPACITY - Ah (10Hr)

### TECHNOLOGY

- Lead acid dry charged construction (absorbed acid)
- No acid in cells, must be filled with acid before use
- 6 & 12V batteries

### FEATURES

- Upright installation only
- Has to be checked periodically and refilled with water if necessary
- Internal gas emission through venting hole
- Handle with care to prevent acid spillage
- Regular life duration
- Does not need to be recharged while stocked

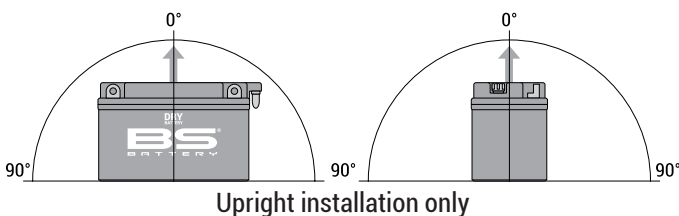
### UPGRADE FOR

-

### WEIGHT

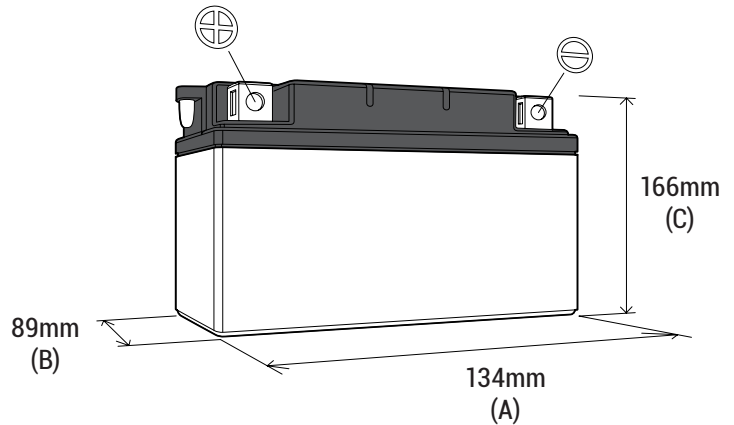
Battery (with acid) : Approx 4.55kg

### MOUNTING ANGLE



### DIMENSIONS

Length (A) :	134±2mm
Width (B) :	89±2mm
Container height :	166±2mm
Total height (C) :	166±2mm



### TERMINALS

