

## DRY BATTERY

DRY | CONVENTIONAL

REF **BB14-A2**



**12V** VOLTAGE - V

**175A** CCA - A

**14.7Ah** CAPACITY - Ah (20Hr)

**14Ah** CAPACITY - Ah (10Hr)

### TECHNOLOGY

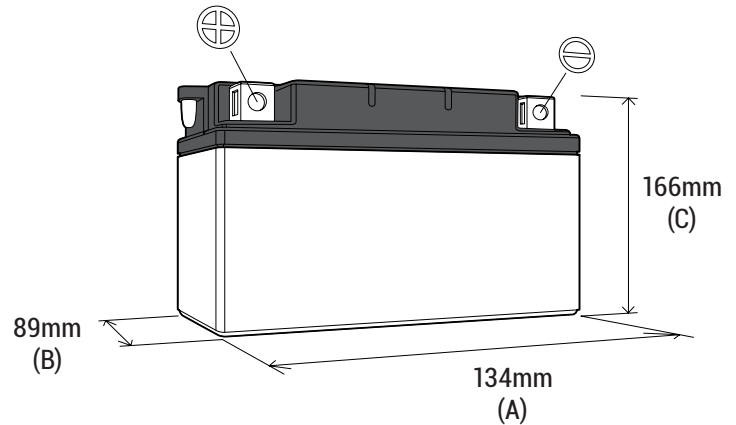
- Lead acid dry charged construction (absorbed acid)
- No acid in cells, must be filled with acid before use
- 6 & 12V batteries

### FEATURES

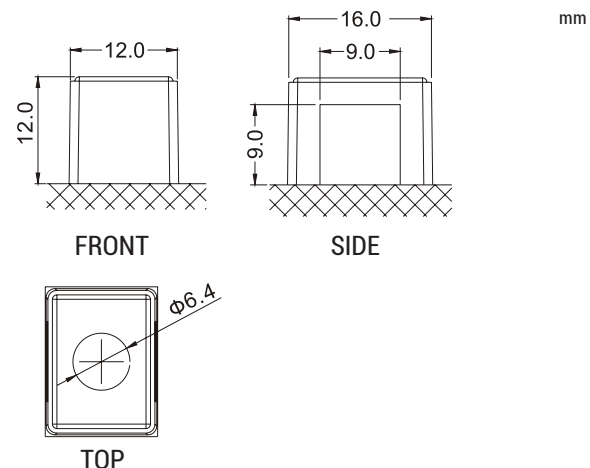
- Upright installation only
- Has to be checked periodically and refilled with water if necessary
- Internal gas emission through venting hole
- Handle with care to prevent acid spillage
- Regular life duration
- Does not need to be recharged while stocked

### DIMENSIONS

|                    |         |
|--------------------|---------|
| Length (A) :       | 134±2mm |
| Width (B) :        | 89±2mm  |
| Container height : | 166±2mm |
| Total height (C) : | 166±2mm |



### TERMINALS



### UPGRADE FOR

-

### WEIGHT

Battery (with acid) : Approx 4.55kg

### MOUNTING ANGLE

