

BTX14AHL-BS

BS CODE: **300607**

VOLTAGE **12V**

CCA **210A**

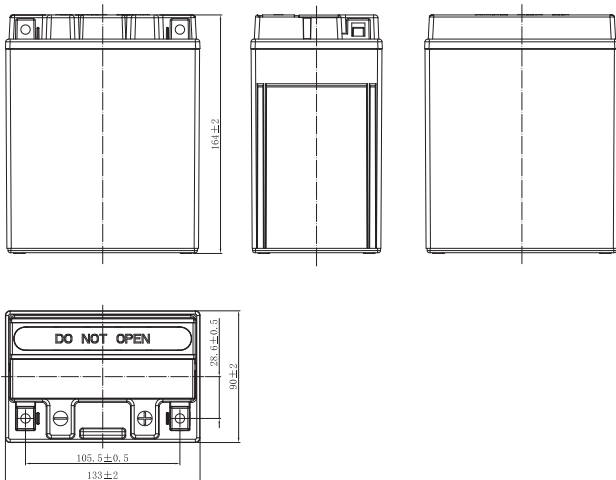
CAPACITY 20HR **12.6Ah**

CAPACITY 10HR **12.0Ah**

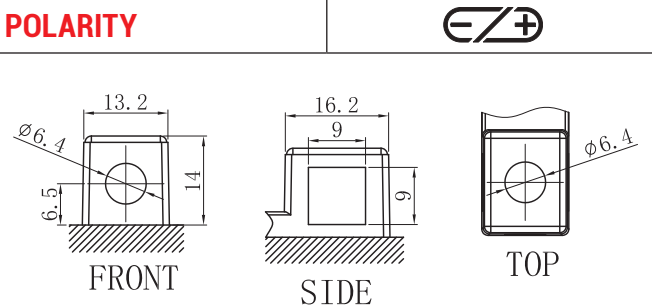


DIMENSIONS

| | | |
|---------------------|-------------|----------------|
| LENGTH | 133 ±2mm | 5.24 ±0.08inch |
| WIDTH | 90 ±2mm | 3.54 ±0.08inch |
| TOTAL HEIGHT | 164 ±2mm | 6.46 ±0.08inch |
| WEIGHT | 3.38 kg ±5% | 7.45 lbs ±5% |



TERMINAL (mm)

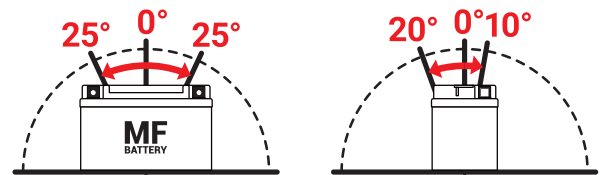


MF FEATURES

- TO BE ACTIVATED**
AGM (Absorbent Glass Mat) technology.
- ACID PACK INCLUDED**
For initial filling.
- NO MAINTENANCE***
VRLA (Valve Regulated Lead Acid) design.
- TIGHTLY SEALED AFTER FILLING**
Electrolyte is held in a glass fiber mat.
- SUPERIOR POWER & EXTENDED CYCLE LIFE**
- LONG SHELF LIFE**
No need to be recharged while stocked (if not activated).

*once activated

MOUNTING ANGLE



UPGRADE FOR

| SLA MAX | SLA | MF | DRY |
|---------|-----|----|-----------------------------------|
| - | - | - | BB14L- A2/12N14-3A BB14L-B2 |