

BT12A-BS

BS CODE: **300602**

VOLTAGE **12V**

CCA **175A**

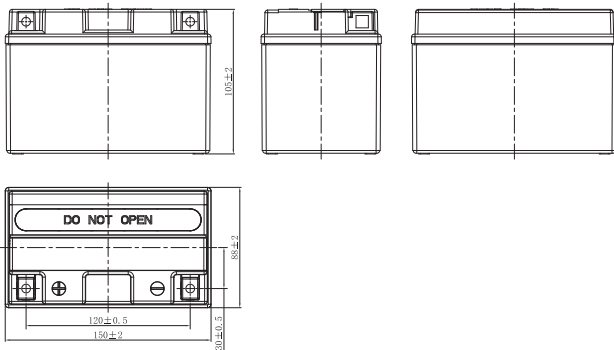
CAPACITY 20HR **10.5Ah**

CAPACITY 10HR **10.0Ah**



DIMENSIONS

LENGTH	150 ±2mm	5.91 ±0.08inch
WIDTH	88 ±2mm	3.46 ±0.08inch
TOTAL HEIGHT	105 ±2mm	4.13 ±0.08inch
WEIGHT	2.64 kg ±5%	5.82 lbs ±5%

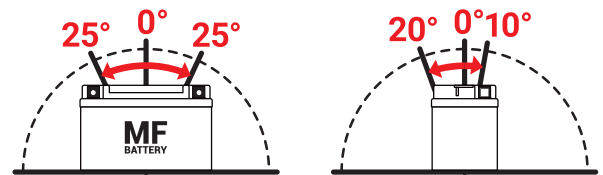


MF FEATURES

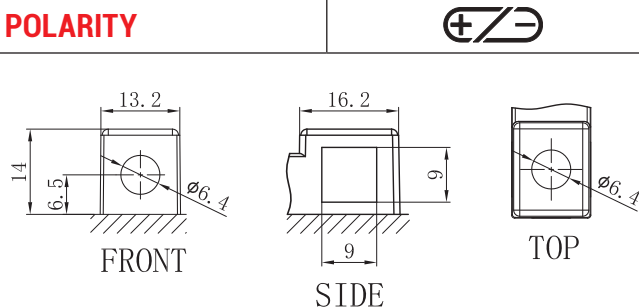
- TO BE ACTIVATED**
AGM (Absorbent Glass Mat) technology.
- ACID PACK INCLUDED**
For initial filling.
- NO MAINTENANCE***
VRLA (Valve Regulated Lead Acid) design.
- TIGHTLY SEALED AFTER FILLING**
Electrolyte is held in a glass fiber mat.
- SUPERIOR POWER & EXTENDED CYCLE LIFE**
- LONG SHELF LIFE**
No need to be recharged while stocked (if not activated).

*once activated

MOUNTING ANGLE



TERMINAL (mm)



UPGRADE FOR

SLA MAX	SLA	MF	DRY
-	-	-	-